



ZENA VOGUE

Simply Perfect

HEATING AND COOLING SOLUTIONS

SPLIT HEAT PUMPS

Perfecting the air



WORLD LEADING

At Daikin, we're not just in the business of heat pumps, we're in the business of human comfort. Our passion for designing and engineering smart technologies ensures your comfort levels are maximised.

Daikin is recognised as an expert in air conditioning. As specialists, air conditioning is all we do. In fact, we're the only company in the world to make both heat pumps and refrigerants which enables us to deliver air conditioning solutions that are world leading in performance, quality and reliability.



*“Does it
do what
a Daikin
does?”*

CONTENTS

ZONED ENERGY RATING LABEL	4
BEST COMFORT	6
PRODUCT OVERVIEW	8
ALIRA	10
ZENA VOGUE	12
CORA	14
STANDARD SERIES	16
PERFERA	18
FLOOR STANDING	20
AIR PURIFIER	22
DAIKIN MOBILE CONTROLLER	24
BREATHE EASY WITH DAIKIN	25
HOW TO CHOOSE A HEATPUMP	26
HOW TO BUY A DAIKIN PRODUCT	27
PRODUCT SPECIFICATIONS	28
MULTI-SPLIT HEAT PUMPS	36
VRV URBAN SERIES	38
DUCTED HEAT PUMPS	40
FEATURES CHECKLIST	42

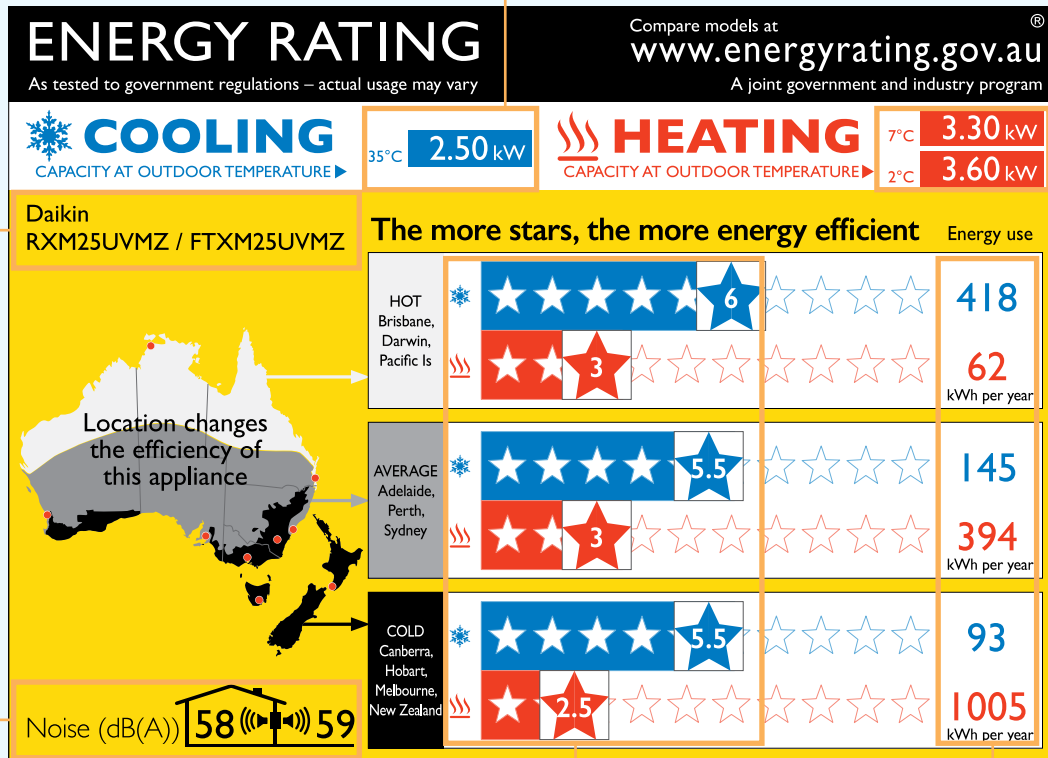


NEW **ZONED ENERGY** RATING LABEL

In simple terms, the Zoned Energy Rating Label (ZERL) enables you to compare the performance of different air conditioners in a number of ways. These include capacity output, energy efficiency as well as sound levels.

To understand the energy efficiency of a product, the star rating system explains this simply with more stars signifying a more efficient product up to a maximum of ten possible stars.

As a result, the rating system defines three distinct climate zones (hot, average, and cold), which allows you to easily identify and compare air conditioners within the climatic zone you live in. New Zealand has been already defined as in the Cold Zone and you will need to check energy star ratings based on Cold Climate Zone. As usual, the more stars, the more efficient the air conditioner will be.



HOW TO READ THE LABEL

1. BRAND & MODEL

This is the brand and model number of the air conditioner. Use this to ensure you are looking at the right information for your desired model.

2. COOLING CAPACITY

This is the available cooling capacity (kW) of the air conditioner when at an indoor temperature of 27°C & outdoor temperature of 35°C (T1)*.

3. HEATING CAPACITY

This is the available heating capacity (kW) of the air conditioner when at an indoor temperature of 20°C & outdoor temperature of 7°C (H1) or 2°C (H2)*.

4. SOUND LEVELS

The values indicate the sound power level[^] of the indoor unit and the outdoor unit. Lower numbers reflect quieter operation.

5. STAR RATINGS

The stars show you how efficient the air conditioner will perform in each of the three climate zones. The more stars, the more efficient.

6. ENERGY USAGE

This tells you the energy usage of the air conditioner per year for cooling & heating. The lower the kWh used, the lower the running cost (multiply by your electricity tariff for estimated running cost).

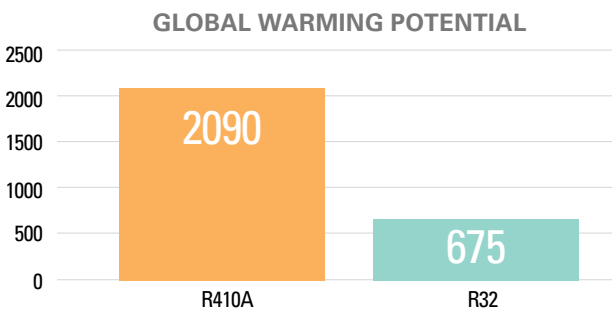
*The capacity is determined under conditions T1 (cooling), H1 & H2 (heating) of AS/NZS 3823.1.1

[^]Measured under conditions T1 (cooling) of AS/NZS 3823.1.1

BEST COMFORT

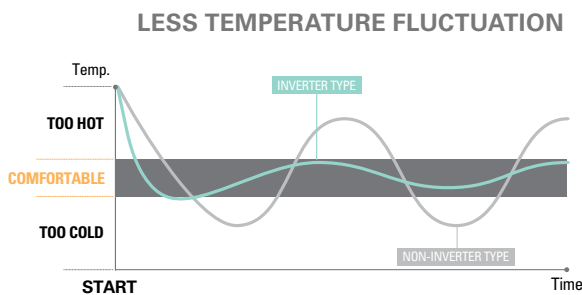
For over 95 years, Daikin has invested heavily in Research and Development to deliver more effective climate control for you and your family. Daikin is recognised around the world as an air conditioning specialist. Daikin technologies help make Daikin air conditioners energy efficient, powerful, reliable and easy to use.

Here are some examples of the innovative technology you can find in your Daikin split system.



R32 REFRIGERANT

All Daikin wall mounted split systems use R32 refrigerant. With a lower global warming potential and a higher refrigeration potential than refrigerants such as R410A, R32 systems can deliver more efficient cooling and heating with less risk of harm to the environment.



INVERTER TECHNOLOGY

An inverter system works like the accelerator of a car, gently increasing or decreasing power. They reach the desired temperature quicker and steadily maintain it without fluctuations. That means uninterrupted comfort and significant savings on running costs.



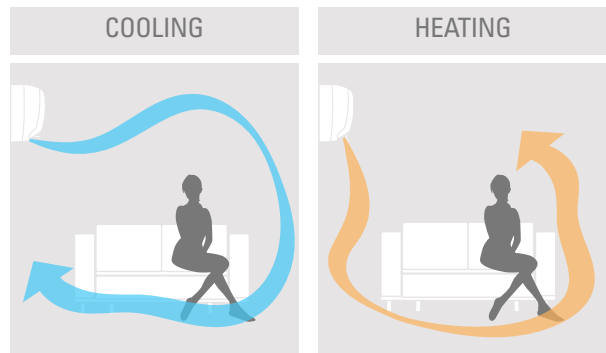
RELUCTANCE DC MOTOR

Our outdoor units incorporate Daikin's Reluctance DC motors. These motors which drive our compressors, utilise the magnetic torque of neodymium magnets in conjunction with reluctance torque, which can boost efficiency by up to 40% more than conventional motors.



COMFORT AIRFLOW TECHNOLOGY (COANDA AIR TECHNOLOGY)

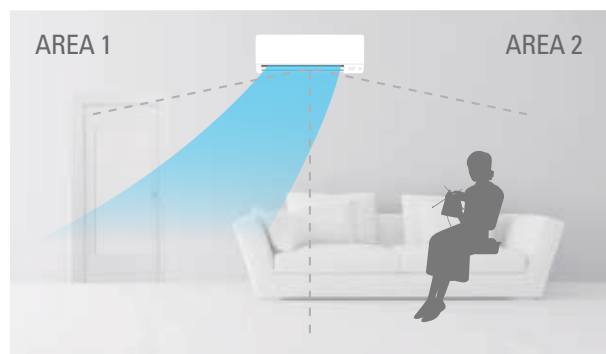
Our wall mounted indoor units* feature an advanced louvre design for streaming cooling air upwards along the ceiling (coanda effect) and warming air down along the floor. This creates a circulatory air motion in the occupied space ensuring rapid cooling or heating of the area, even temperature distribution and improved comfort levels.



INTELLIGENT EYE SENSOR

Each indoor wall mounted model is fitted with Daikin's trademark Intelligent Eye human sensor. This sensor cleverly switches the unit into energy saving mode when the room is unoccupied.

On models fitted with the more advanced 2-Area or 3-Area variants, the intelligent eye can also be used to provide draught free comfort.



DRAUGHT FREE COMFORT OPERATIONS: IF OCCUPANT DETECTED IN AREA 1, AIRFLOW IS DIRECTED AWAY.

*Applicable to Cora and Standard 20-71 Class models, and all Alira & Zena Vogue models

PRODUCT OVERVIEW

HIGH WALL

ALIRA

2.7KW TO 8.0KW (7 MODELS)
RATED HEATING CAPACITIES



PAGE 12

Multi Purpose Design

Akira is a step ahead of the rest, delivering a perfect fusion of whisper quiet comfort, industry-leading energy efficiency and indoor environmental quality technology.



STAR RATING	CLASS	20	25	35	46	50	60	71
(Hot/Avg/Cold) ZERL (Residential)	Cool	6/5.5/5.5 ★	6/5.5/6 ★	5/5/5 ★	4.5/4/4.5 ★	5.5/5/5 ★	4.5/4.5/5 ★	4/3/3.5 ★
	Heat	3.5/3.5/3 ★	4/3.5/3 ★	3.5/3.5/3 ★	4/3.5/3 ★	4/3.5/3 ★	4/3/2.5 ★	3.5/3/2.5 ★

ZENA VOGUE

3.2KW TO 7.2KW (8 MODELS)
RATED HEATING CAPACITIES



PAGE 10

Simply Perfect

Stylish designer model engineered with the latest technology and built-in Wi-Fi capability. Available in White Hair Line or Black Wood finish.



STAR RATING	CLASS	25*	35*	50*	60*	25^	35^	50^	60^
(Hot/Avg/Cold) ZERL (Residential)	Cool	4/3.5/3.5 ★	3.5/3.5/3.5 ★	3.5/3/3 ★	2.5/2.5/2.5 ★	4/3.5/3.5 ★	3.5/3.5/3.5 ★	3.5/3/3 ★	2.5/2.5/2.5 ★
	Heat	3/3/2.5 ★	3/2.5/2 ★	3/2.5/2 ★	3/2.5/2 ★	3/3/2.5 ★	3/2.5/2 ★	3/2.5/2 ★	3/2.5/2 ★

*White Hair line

^Black Wood finish

CORA

3.2KW TO 10.3KW (9 MODELS)
RATED HEATING CAPACITIES



PAGE 14

Refined Performance

Delivering the ultimate balance of performance, efficiency and quietness to your living space, the new Daikin Cora has been designed to perform in New Zealand conditions.



STAR RATING	CLASS	20	25	35	46	50	60	71	85	95
(Hot/Avg/Cold) ZERL (Residential)	Cool	5.5/4.5/5 ★	6/5.5/5.5 ★	5/4.5/5 ★	4/3.5/4 ★	5/4.5/5 ★	4/4/4 ★	3.5/3/3 ★	2.5/2/2 ★	3/2.5/2.5 ★
	Heat	3/2.5/2.5 ★	3/3/2.5 ★	3/3/2.5 ★	3/2.5/2 ★	3.5/3/2.5 ★	3.5/3/2 ★	3/2.5/2 ★	2.5/2.5/2 ★	2.5/2/1.5 ★

STANDARD SERIES

2.7KW TO 10.3KW (9 MODELS)
RATED HEATING CAPACITIES



PAGE 16

Essential Comfort

Standard Series offers reliable performance with all the essential features and a large range of capacities, there's one to keep you comfortable whether your space is big or small.



STAR RATING	CLASS	20	25	35	46	50	60	71	85	95
(Hot/Avg/Cold) ZERL (Residential)	Cool	5/4.5/4.5 ★	5.5/5/5 ★	4.5/4.5/4.5 ★	4/3.5/3.5 ★	5/4/4.5 ★	4/3.5/4 ★	3.5/3/3 ★	2.5/2/2 ★	2.5/2/2 ★
	Heat	3/2.5/2.5 ★	3.5/3/2.5 ★	3/2.5/2.5 ★	3/2.5/2 ★	3/2.5/2.5 ★	3/2.5/2 ★	3/2.5/2 ★	2.5/2/2 ★	2.5/2/1.5 ★

FLOOR MOUNTED

PERFERA

3.4KW TO 5.8KW (3 MODELS)
RATED HEATING CAPACITIES



PAGE 18

Ultimate Comfort

Elegantly designed floor standing heat pump that is whisper quiet, energy efficient and provides fresh air quality in your home, leaving your air safe to breathe.



STAR RATING	CLASS	25	35	50
(Hot/Avg/Cold) ZERL (Residential)	Cool	4/3.5/3 ★	4.5/3.5/3.5 ★	4/3/3.5 ★
	Heat	2.5/2.5/2 ★	3/2.5/2 ★	3/2.5/2 ★

FLOOR STANDING

2.9KW TO 7.65KW (6 MODELS)
RATED HEATING CAPACITIES



PAGE 20

Compact & Convenient

Compact floor standing unit with a wide selection of capacities, ideal for placement under a window sill or semi-recessed into a wall or an unused fireplace.



STAR RATING	CLASS	25	35	45	50	60	71
(Hot/Avg/Cold) ZERL (Residential)	Cool	3.5/3/3.5 ★	3.5/3/3 ★	3/2.5/2.5 ★	4/3.5/3.5 ★	3/2.5/3 ★	3/2.5/3 ★
	Heat	3.5/3/2.5 ★	3/2.5/2 ★	3/2.5/2 ★	3.5/2.5/2 ★	2.5/2/1.5 ★	2/2/1.5 ★

AIR PURIFIER

MC55YPVM, MC40YPVM, MC30YPVM



PAGE 22

Cleaner, Fresher, Healthier Air

Breathe easy with Daikin's air purifier. Turn your home into the great indoors with Daikin's Air Purifier, featuring breathtaking technology, compact portable design and ultra quiet operation.





2.7kW
-TO-
8.0kW
RATED HEATING
CAPACITIES

7
MODELS

ALIRA

MULTI PURPOSE DESIGN



Alira is a step ahead of the rest, delivering a perfect fusion of whisper quiet comfort, industry-leading energy efficiency and indoor environmental quality technology.



PERFECT FUSION

Alira is a perfect blend of progressive design aesthetic, superior energy performance & indoor environmental quality technology



ADVANCED PURIFICATION

Fitted with three layers of filtration; prefilter for large particulates, enzyme blue deodorising filter for odours and Daikin's Streamer Technology for powerful oxidative decomposition of pollutants.



MOULD-PROOF OPERATION

Activates after cooling or dry operation to prevent the build up of mould and odour.**



INTELLIGENT COMFORT

The 2-Area Intelligent Eye*** helps prevent cold draughts and enables energy saving operations when the room is unoccupied.



COANDA AIRFLOW

Discharge louvres are designed to stream air upwards along the ceiling for rapid cooling and uniform temperature distribution.



BUILT-IN WI-FI

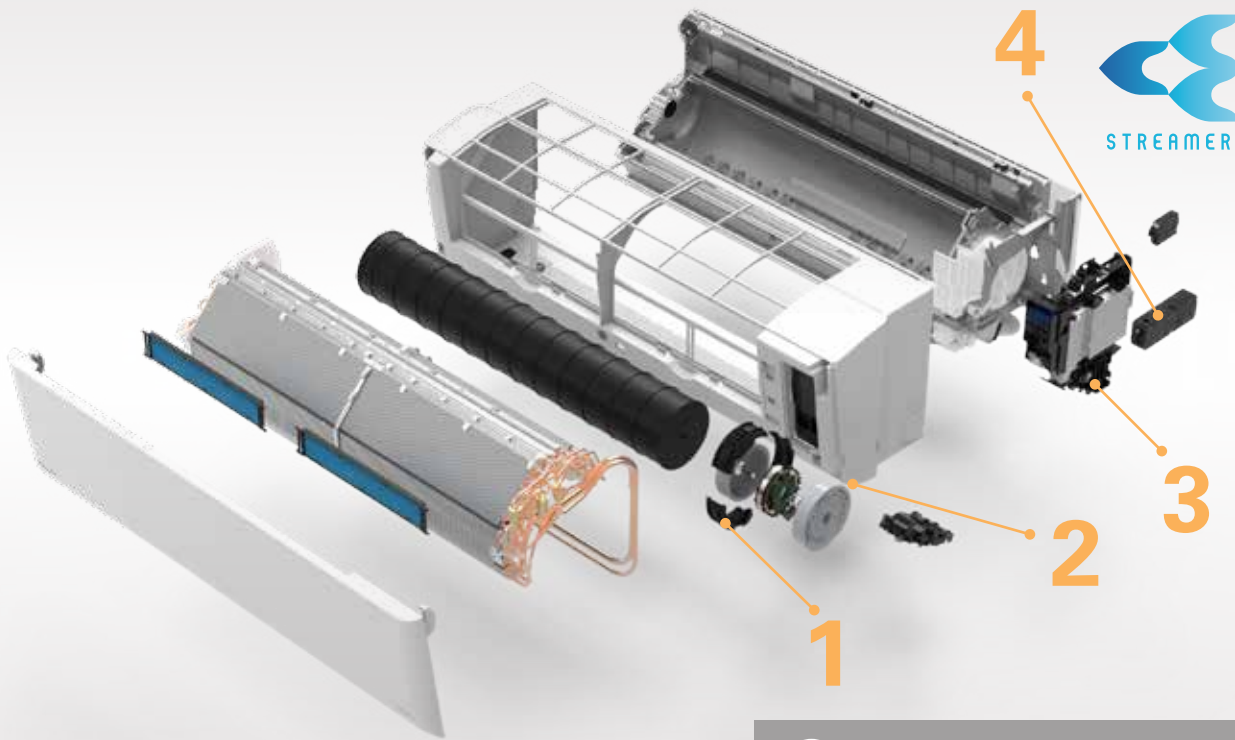
Connection to Daikin's Mobile Controller smartphone interface is now included.



*Refers to 2.0kW, 2.5kW & 3.5kW models.

**Mould-proof operation function can be toggled (On/Off) via the wireless controller.

***2-Area Intelligent Eye only applicable to 20-46 Class Models.



Daikin Mobile Controller (Included)

Daikin's Mobile Controller allows you to control your Daikin Split System from anywhere, anytime.

TECHNOLOGY

1. IMPROVED ODM MOTOR

Improved compact 14 pole DC outer diameter rotor motor encased in rubber vibration dampeners delivers higher torque more efficiently than before while ensuring whisper quiet operations.

2. REDESIGNED DUAL LOUVRES

Large dual louvres with aerodynamic end vanes help reduce turbulence for draught free comfort with longer throw distances of up to 10m (50-71 Class).

3. HUMIDITY SENSOR

Monitors humidity to accurately control supply air temperature for comfortable and effective dehumidification of the room during Program Dry Function operation.

4. STREAMER TECHNOLOGY

Discharges high speed electrons generating powerful oxidative decomposition that continuously removes odours, bacteria and indoor air pollutants such as formaldehyde.



ENERGY RATING

STAR RATING	CLASS	20	25	35	46	50	60	71
(Hot/Avg/Cold) ZERL (Residential)	Cool	6/5.5/5.5 ★	6/5.5/6 ★	5/5/5 ★	4.5/4/4.5 ★	5.5/5/5 ★	4.5/4.5/5 ★	4/3/3.5 ★
	Heat	3.5/3.5/3 ★	4/3.5/3 ★	3.5/3.5/3 ★	4/3.5/3 ★	4/3.5/3 ★	4/3/2.5 ★	3.5/3/2.5 ★

ZERL (Residential) refers to 'Zoned Energy Rating Label' residential star rating as outlined in the Energy Efficiency (Energy Using Products) Amendment Regulations 2020.
Note: Please see features checklist on page 42 for full list of features.



3.2kW
-TO-
7.2kW

RATED HEATING
CAPACITIES

8

MODELS

ZENA VOGUE

SIMPLY PERFECT



REVERSE
CYCLE

WHITE HAIRLINE OR
BLACKWOOD
FINISH

The Zena Vogue offers a premium climate solution with a compact and functional design suitable for all interiors. Together creating simply perfect comfort all year round.



DAIKIN
MOBILE CONTROLLER
INCLUDED

19 dBA*
DURING SUPER
QUIET OPERATION



SIMPLY PERFECT DESIGN

Whether you choose the white or blackwood finish, Zena Vogue's curved corners and simple textured front panel allow it to blend perfectly into any decor.



HEAVY DUTY PURIFICATION

Daikin's streamer technology offers heavy duty air purification. The high speed electron discharge destroys bacteria, mould and allergens at a much higher speed than most conventional air filters, leaving your air safe to breathe.



VERTICAL AIRFLOW

Besides reducing humidity, this function automatically controls temperature and airflow rate and will cleverly switch into cooling mode if the room temperature rises too much.



ULTRA COMPACT

At just 798mm long, 295mm high and 185mm deep, Zena Vogue incredibly compact yet surprisingly powerful.



2-AREA INTELLIGENT EYE

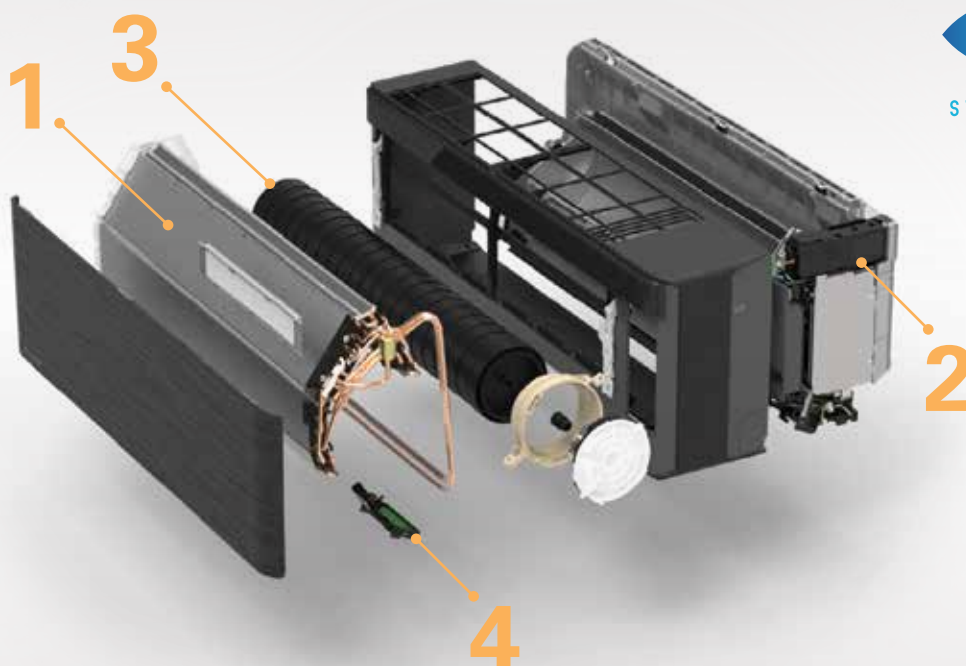
The 2-area Intelligent Eye is so clever it can now either direct airflow towards you or away from you for draught free comfort. If the room is unoccupied the unit will automatically enable energy saving operations.



COMFORT AIRFLOW

Discharge louvres are specially designed to stream cooling air upwards along the ceiling (coanda effect) and warm air down along the floor. This delivers rapid cooling or heating and even temperature distribution.

*19 dBA applies to Zena Vogue 25 class models only.



ZENA VOGUE



Daikin Mobile Controller (Included)

Daikin's Mobile Controller allows you to control your Daikin Split System from anywhere, anytime.

TECHNOLOGY

1. ADVANCE FILTER

The titanium apatite deodorising air purification filter traps microscopic particles, decomposes odours and even deactivates bacteria.

2. STREAMER TECHNOLOGY

Decomposes bacteria and mould absorbed on the filter by ionisation through an advanced plasma electric discharge.

3. SAW EDGE FAN

Our new 'Saw Edge' aerofoil blade design delivers greater volumes of air quietly whilst retaining Zena's compact form factor.

4. GRID EYE SENSOR

An additional built-in Grid Eye Sensor further monitors the floor temperature during heating and adjusts airflow direction to ensure even room temperature.



ENERGY RATING

STAR RATING	CLASS	25	35	50	60	25	35	50	60
(Hot/Avg/Cold) ZERL (Residential)	Cool	4/3.5/3.5 ★	3.5/3.5/3.5 ★	3.5/3/3 ★	2.5/2.5/2.5 ★	4/3.5/3.5 ★	3.5/3.5/3.5 ★	3.5/3/3 ★	2.5/2.5/2.5 ★
	Heat	3/3/2.5 ★	3/2.5/2 ★	3/2.5/2 ★	3/2.5/2 ★	3/3/2.5 ★	3/2.5/2 ★	3/2.5/2 ★	3/2.5/2 ★

ZERL (Residential) refers to 'Zoned Energy Rating Label' residential star rating as outlined in the Energy Efficiency (Energy Using Products) Amendment Regulations 2020. **Note:** Please see features checklist on page 42 for full list of features.



2.8kW
-TO-
10.3kW
RATED HEATING
CAPACITIES

9
MODELS

CORA

REFINED PERFORMANCE



Delivering the ultimate balance of performance, efficiency and quietness to your living space, the Daikin Cora has been designed to perform in New Zealand conditions.



MATTE CRYSTAL DESIGN***

The Cora features a beautifully redesigned front panel, with matte crystal accents for a clean, sleek appearance which blends seamlessly into any modern bedroom or living area.



ADVANCED PURIFICATION

Each model is fitted with a titanium apatite deodorising air purification filter that traps microscopic particles, decomposes odours and even deactivates bacteria.



2-AREA INTELLIGENT EYE

The 2-area Intelligent Eye* is so clever it can now either direct airflow towards you or away from you for draught free comfort. If the room is unoccupied the unit will automatically enable energy saving operations.



COMFORT AIRFLOW

Discharge louvres are specially designed to stream cooling air upwards along the ceiling (coanda effect) and warm air down along the floor. This delivers rapid cooling or heating and even temperature distribution.



REDESIGNED TECHNOLOGY

The internal components have been redesigned to achieve improved capacity, energy performance and quietness.



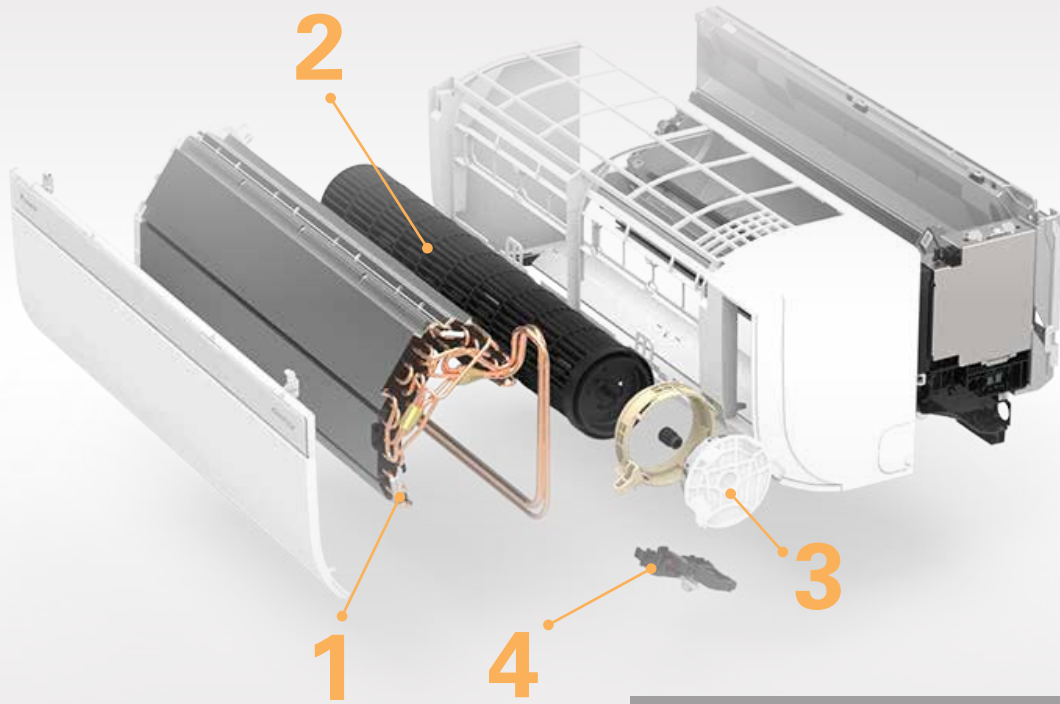
PRECISION CONTROL


For even greater precision and control, you can now set your room temperature in increments of 0.5°C to ensure optimal comfort conditions all year round.

*2-Area Intelligent Eye only applicable to 20-46 Class Models.

**19 dBA applies to Cora 20,25,35 class models only. Please refer to page 26 for full details.

***Applicable for 20-71 Class Models.



 **Daikin Mobile Controller (Option)**
 Daikin's Mobile Controller allows you to control your Daikin Split System from anywhere, anytime.

TECHNOLOGY

1. REDESIGNED HEAT EXCHANGER

Slit type fin design with Ø5mm piping increases heat exchange area for improved capacity output and energy performance.

2. CROSS FLOW FAN

Large diameter rotor with aerofoil blade design delivers larger volumes of air more quietly than ever before.

3. NEW ODM MOTOR

Compact 10 pole DC outer diameter rotor motor delivers higher torque more efficiently.

4. 2-AREA INTELLIGENT EYE

Ensures draught free comfort. If no movement detected for a period of 20 minutes, the air conditioner adjusts the set temperature by ±2°C to save energy.



ENERGY RATING

STAR RATING	CLASS	20	25	35	46	50	60	71	85	95
(Hot/Avg/Cold) ZERL (Residential)	Cool	5.5/4.5/5 ★	6/5.5/5.5 ★	5/4.5/5 ★	4/3.5/4 ★	5/4.5/5 ★	4/4/4 ★	3.5/3/3 ★	2.5/2/2 ★	3/2.5/2.5 ★
	Heat	3/2.5/2.5 ★	3/3/2.5 ★	3/3/2.5 ★	3/2.5/2 ★	3.5/3/2.5 ★	3.5/3/2 ★	3/2.5/2 ★	2.5/2.5/2 ★	2.5/2/1.5 ★

ZERL (Residential) refers to 'Zoned Energy Rating Label' residential star rating as outlined in the Energy Efficiency (Energy Using Products) Amendment Regulations 2020.
Note: Please see features checklist on page 42 for full list of features.



2.7kW
-TO-
10.3kW
RATED HEATING
CAPACITIES

9
MODELS

STANDARD

REFINED PERFORMANCE



Daikin's Standard Series offers reliable performance when heating or cooling your home. With all the essential features and a large range of capacities, there's one to keep you comfortable whether your space is big or small.



DAIKIN
MOBILE CONTROLLER
OPTION

19 dBA**
DURING SUPER
QUIET OPERATION



ADVANCED PURIFICATION

Each model is fitted with a titanium apatite deodorising air purification filter that traps microscopic particles, decomposes odours and even deactivates bacteria.



2-AREA INTELLIGENT EYE

The 2-area Intelligent Eye* is so clever it can now either direct airflow towards you or away from you for draught free comfort. If the room is unoccupied the unit will automatically enable energy saving operations.



PROGRAM DRY FUNCTION

Besides reducing humidity, this function automatically controls temperature and airflow rate and will cleverly switch into cooling mode if the room temperature rises too much.



COMFORT AIRFLOW

Discharge louvres are specially designed to stream cooling air upwards along the ceiling (coanda effect) and warm air down along the floor. This delivers rapid cooling or heating and even temperature distribution.

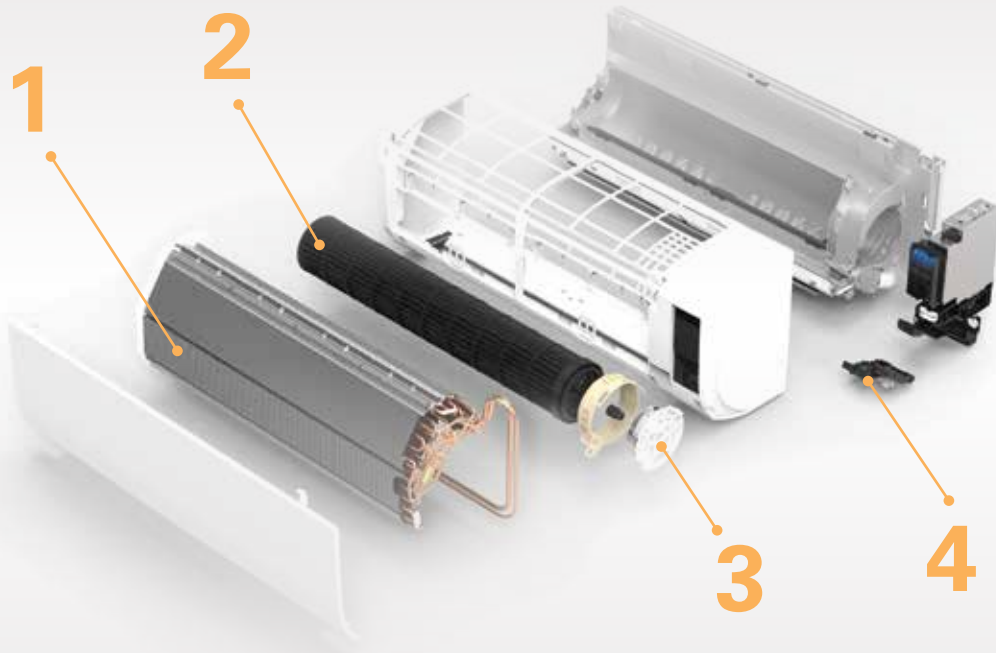


POWERFUL OPERATION

Push the POWERFUL button on the remote control and you'll be relieved with a cooling or heating boost for a 20 minute period, even if the unit's already operating at high capacity.

*The more stars, the more energy efficient. The Star Rating Index is determined under conditions of AS/NZS 3823.1.1. See table for other class ratings.

**19 dBA applies to Standard Series 20,25,35 class models only. Please refer to page 30 for full details.



Daikin Mobile Controller (Option)

Daikin's Mobile Controller allows you to control your Daikin Split System from anywhere, anytime.

TECHNOLOGY

1. REDESIGNED HEAT EXCHANGER

Slit type fin design with Ø5mm piping increases heat exchange area for improved capacity output and energy performance.

2. CROSS FLOW FAN

Large diameter rotor with aerofoil blade design delivers larger volumes of air more quietly than ever before.

3. NEW ODM MOTOR

Compact 10 pole DC outer diameter rotor motor delivers higher torque more efficiently.

4. 2-AREA INTELLIGENT EYE

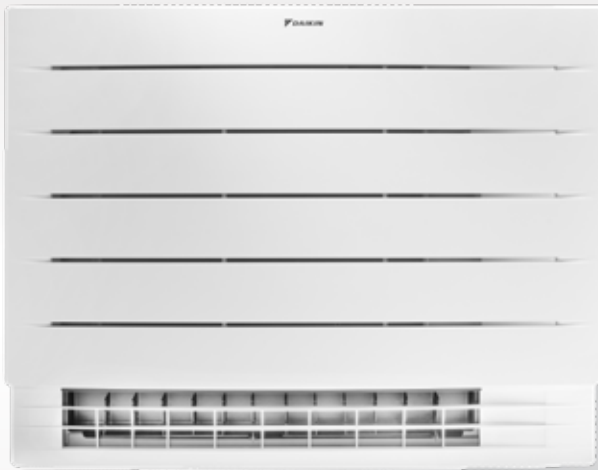
Ensures draught free comfort. If no movement detected for a period of 20 minutes, the air conditioner adjusts the set temperature by ±2°C to save energy.



ENERGY RATING

STAR RATING	CLASS	20	25	35	46	50	60	71	85	95
(Hot/Avg/Cold) ZERL (Residential)	Cool	5/4.5/4.5 ★	5.5/5/5 ★	4.5/4.5/4.5 ★	4/3.5/3.5 ★	5/4/4.5 ★	4/3.5/4 ★	3.5/3/3 ★	2.5/2/2 ★	2.5/2/2 ★
	Heat	3/2.5/2.5 ★	3.5/3/2.5 ★	3/2.5/2.5 ★	3/2.5/2 ★	3/2.5/2.5 ★	3/2.5/2 ★	3/2.5/2 ★	2.5/2/2 ★	2.5/2/1.5 ★

ZERL (Residential) refers to 'Zoned Energy Rating Label' residential star rating as outlined in the Energy Efficiency (Energy Using Products) Amendment Regulations 2020. **Note:** Please see features checklist on page 42 for full list of features.



3.4kW
-TO-
5.8kW
RATED HEATING
CAPACITIES

3
MODELS

PERFERA

ULTIMATE COMFORT



REVERSE
CYCLE

Elegantly designed floor standing heat pump that is whisper quiet, energy efficient and provides fresh air quality in your home, leaving your air safe to breathe.



DAIKIN
MOBILE CONTROLLER
OPTION

19 dBA**
DURING SUPER
QUIET OPERATION



HEAVY DUTY PURIFICATION

Daikin's streamer technology offers heavy duty air purification. The high speed electron discharge destroys bacteria, mould and allergens at a much higher speed than most conventional air filters, leaving your air safe to breathe.



PROGRAM DRY FUNCTION

Besides reducing humidity, this function automatically controls temperature and airflow rate and will cleverly switch into cooling mode if the room temperature rises too much.



HEAT BOOST

Quickly heats up your home when starting up your air conditioner. Set temperature is reached 14%[^] faster than a regular air conditioner.



POWERFUL OPERATION

Push the POWERFUL button on the remote control and you'll be relieved with a cooling or heating boost for a 20 minute period, even if the unit's already operating at high capacity.



DUAL AIRFLOW

Thanks to the high technology turbo fan design, Perfera Floor presents dual airflow which is unique in the market. Improved for comfort!



HEAT PLUS

Provides 30 minutes cosy heating by simulating radiant heat.



FLOOR WARMING

Optimises convection by distributing hot air from the bottom of the unit.

[^] Heat Boost test condition: 50 class, outdoor temperature 2°C, indoor temperature 10°C, R/C setting: 23°C

*The more stars, the more energy efficient. The Star Rating Index is determined under conditions of AS/NZS 3823.1.1. See table for other class ratings.

**19 dBA applies to Standard Series 20,25,35 class models only. Please refer to page 30 for full details.



Wide upper louvre



Daikin Eye



TECHNOLOGY

1. WIDE UPPER LOUVRE

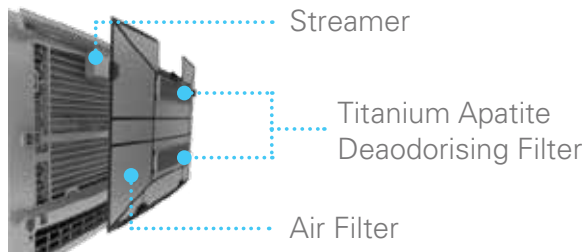
The wide louvre design ensures the best airflow for comfort.

2. DAIKIN EYE

Indicates the operation modes, the timer, connectivity and is thoughtful of your comfort.

3. DUAL AIRFLOW

A high technology turbo fan that provides the dual airflow feature, which is unique.



ENERGY RATING

STAR RATING	CLASS	25	35	50
(Hot/Avg/Cold) ZERL (Residential)	Cool	4/3.5/3 ★	4.5/3.5/3.5 ★	4/3/3.5 ★
	Heat	2.5/2.5/2 ★	3/2.5/2 ★	3/2.5/2 ★

ZERL (Residential) refers to 'Zoned Energy Rating Label' residential star rating as outlined in the Energy Efficiency (Energy Using Products) Amendment Regulations 2020.
Note: Please see features checklist on page 42 for full list of features.



2.9kW
-TO-
7.65kW
RATED HEATING
CAPACITIES

6
MODELS

FLOOR STANDING

COMPACT & CONVENIENT



REVERSE
CYCLE

Compact floor standing unit with a wide selection of capacities, ideal for placement under a window sill or semi-recessed into a wall or an unused fireplace.



ADVANCED PURIFICATION

Each model is fitted with a titanium apatite deodorising air purification filter that traps microscopic particles, decomposes odours and even deactivates bacteria.



DUAL DISCHARGE VENTS

You can select to use either top, or top and bottom discharge vents to distribute air evenly through the room for better heating comfort.



WIDE OPERATING RANGE

Daikin's floor standing units are robust in design and feature an intelligent defrost system. So even when the outdoor temperature drops as low as -10°C , your home still stays comfortable in winter.



HOT START

Prior to heating, the unit warms to a pre-set temperature before the fan switches on, ensuring only warm air is discharged and eliminating cold draughts.

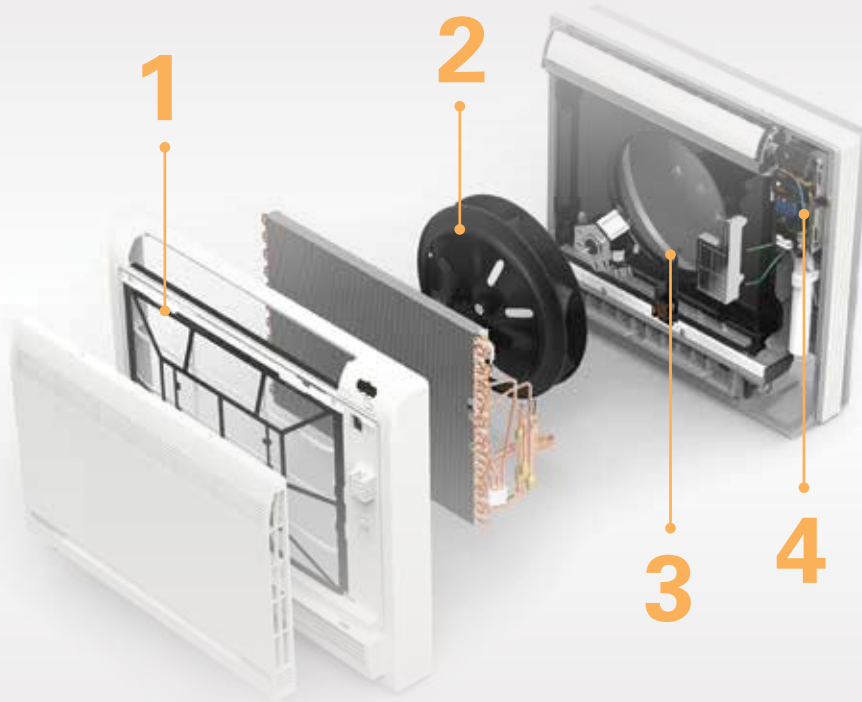


STANDBY POWER FUNCTION

When the system is not in use, power supply to the outdoor unit is turned off and the indoor unit switches to standby mode.

*The more stars, the more energy efficient. The Star Rating Index is determined under conditions of AS/NZS 3823.1.1. See table for other class ratings.

**19 dBA applies to Standard Series 20,25,35 class models only. Please refer to page 30 for full details.



TECHNOLOGY

1. ADVANCED FILTRATION

Features the combination of a particulate prefilter for collecting dust particles and a titanium apatite deodorising air purification filter.

2. TURBO FAN

The large swept blades enable air to be discharged quietly and efficiently via both the top and bottom discharge vents for even airflow into the room.

3. DC FAN MOTOR

Daikin's DC Fan motor is efficient and compact, featuring five step fan speeds including quiet and auto mode.

4. PROGRAM DRY FUNCTION

When operating in this mode, the microprocessor intelligently adjusts temperature and airflow rate to reduce humidity with minimal compromise to comfort.



ENERGY RATING

STAR RATING	CLASS	25	35	45	50	60	71
(Hot/Avg/Cold) ZERL (Residential)	Cool	3.5/3/3.5 ★	3.5/3/3 ★	3/2.5/2.5 ★	4/3.5/3.5 ★	3/2.5/3 ★	3/2.5/3 ★
	Heat	3.5/3/2.5 ★	3/2.5/2 ★	3/2.5/2 ★	3.5/2.5/2 ★	2.5/2/1.5 ★	2/2/1.5 ★

ZERL (Residential) refers to 'Zoned Energy Rating Label' residential star rating as outlined in the Energy Efficiency (Energy Using Products) Amendment Regulations 2020.
Note: Please see features checklist on page 42 for full list of features.

MC55YPVM

330 M³/H

AIR FLOW RATE

82* M²

ROOMS UP TO

MC40YPVM

240 M³/H

AIR FLOW RATE

62* M²

ROOMS UP TO

MC30YPVM

180 M³/H

AIR FLOW RATE

46* M²

ROOMS UP TO



AIR PURIFIER

PERFECTING THE AIR

Don't compromise on health and comfort.
Breathe easy with Daikin's air purifier.

Turn your home into the great indoors. Daikin's Air Purifiers keep your indoor space fresh and healthy all year round.



4 LAYERS OF FILTRATION

Features Prefilter, Deodorising Filter, High Efficiency Particulate filter and Daikin's signature Streamer Technology.



WIRELESS CONTROLLER

A wireless remote controller is included with MC55YPVM models for simple, convenient operation at your fingertips.



ANTI POLLEN MODE**

By creating gentle air turbulence from fan speed modulation, pollen is trapped by the air filters before it settles.



TRIPLE DETECTION SENSOR**

Dust, PM2.5 particles and odour levels are displayed on the top of unit for easy live monitoring.



TURBO MODE

High power operation for quick removal of pollutants. Ideal for use when there is a sudden increase of occupants in the room.



AUTO FAN MODE**

Airflow is optimised to suit contamination levels detected from the sensors for efficient energy usage.



ECONO MODE**

Automatically switches between 'Quiet' & 'Low' operation mode to suit contamination levels. Ideal for sleeping hours



ULTRA QUIET OPERATION

Whisper quiet operation with sound levels of as low as 19dBA (in Quiet Mode).

*Room Size is calculated according to NRCC-54013 standard using cigarette smoke CADR tested according to JEM1467. Please see Daikin Air Purifier brochure for full details and specifications.

**Anti Pollen Mode, Triple Detection Sensor, Auto Fan Mode and Econo Mode are not available for MC30YPVM. Fresh Mode is available only for MC30YPVM.



STREAMER TECHNOLOGY

Daikin's Patented Streamer Technology is the only one that decomposes bacteria and harmful particles.

NEW ACTIVE PLASMA ION¹

Reacts with the air to generate OH Radical which decays unpleasant protein particles to eliminate germs, fungus, allergens, odor, and bacteria. It also helps moisturize the skin.

NEW ELECTROSTATIC HEPA FILTER

Dust collection filter that catches fine particles of dust down to 0.3 microns using electrostatic forces. It is not prone to clogging and can purify a larger amount of air.

TECHNOLOGY

1. PREFILTER

PET net filter captures larger particulates to ensure unimpeded operation of other system elements.

2. DC FAN MOTOR

Efficiently controls fan rotational speed for greater power savings and quiet operations as low as 19dBA.

3. SIROCCO FAN

Light weight sirocco fan. These fans feature an aerodynamic fan blade design which reduces turbulence for a more efficient and quieter air flow delivery.

4. TRIPLE DETECTION SENSOR**

Highly sensitive triple detection sensors measure the indoor air quality levels of the room.

5. STREAMER TECHNOLOGY

Releases high speed electrons that collide with oxygen and nitrogen molecules, this activates them and enables oxidative decomposition.

6. HIGH EFFICIENCY PARTICULATE FILTER (DUST COLLECTION FILTER)

Removes 99.97% of fine particles². Particulates are attracted to the electrostatic fibres and trapped, freeing up airflow for increased filter longevity.

7. DEODORISING FILTER

Odours are absorbed by the deodorising catalyst and further decomposed by the Streamer, therefore retaining the deodorising capacity of the filter.

¹Valid for model MC55YPVM only

²Verified by the test method of The Japan Electrical Manufacturers' Association Standard JEM1467. It is the initial removal performance of the filter. It is different from the removal performance for the entire room.

Please Note: Air Purifiers are 2 Years Warranty.

DAIKIN MOBILE CONTROLLER

WI-FI CONTROL FOR YOUR DAIKIN AIR CONDITIONER UNIT

Daikin Mobile Controller puts your heat pump's frequently used functions at your fingertips with an easy to use app.

In conjunction with Daikin's BRP072A42 wifi adaptor, the easy to use app lets you use your smartphone or tablet to operate your Daikin air conditioning unit via Wi-Fi or the internet.

THREE WAYS TO CONNECT

1. DIRECT CONNECTION

For locations without a Wi-Fi network, the app can wirelessly connect directly to the a wireless LAN adaptor equipped air conditioner, when in range.

2. WI-FI CONNECTION

A LAN equipped air conditioner can easily be joined to a local Wi-Fi network. Once connected, the system can be controlled from any networked Android or iOS device.

3. INTERNET CONNECTION

Monitor and control your system from virtually anywhere, adjusting temperature and setting for a comfortable environment ready for when you arrive home. With no subscription costs from Daikin, all you need is a permanent internet connection for your Wi-Fi network, and an internet connection for your phone or tablet.



FEATURES

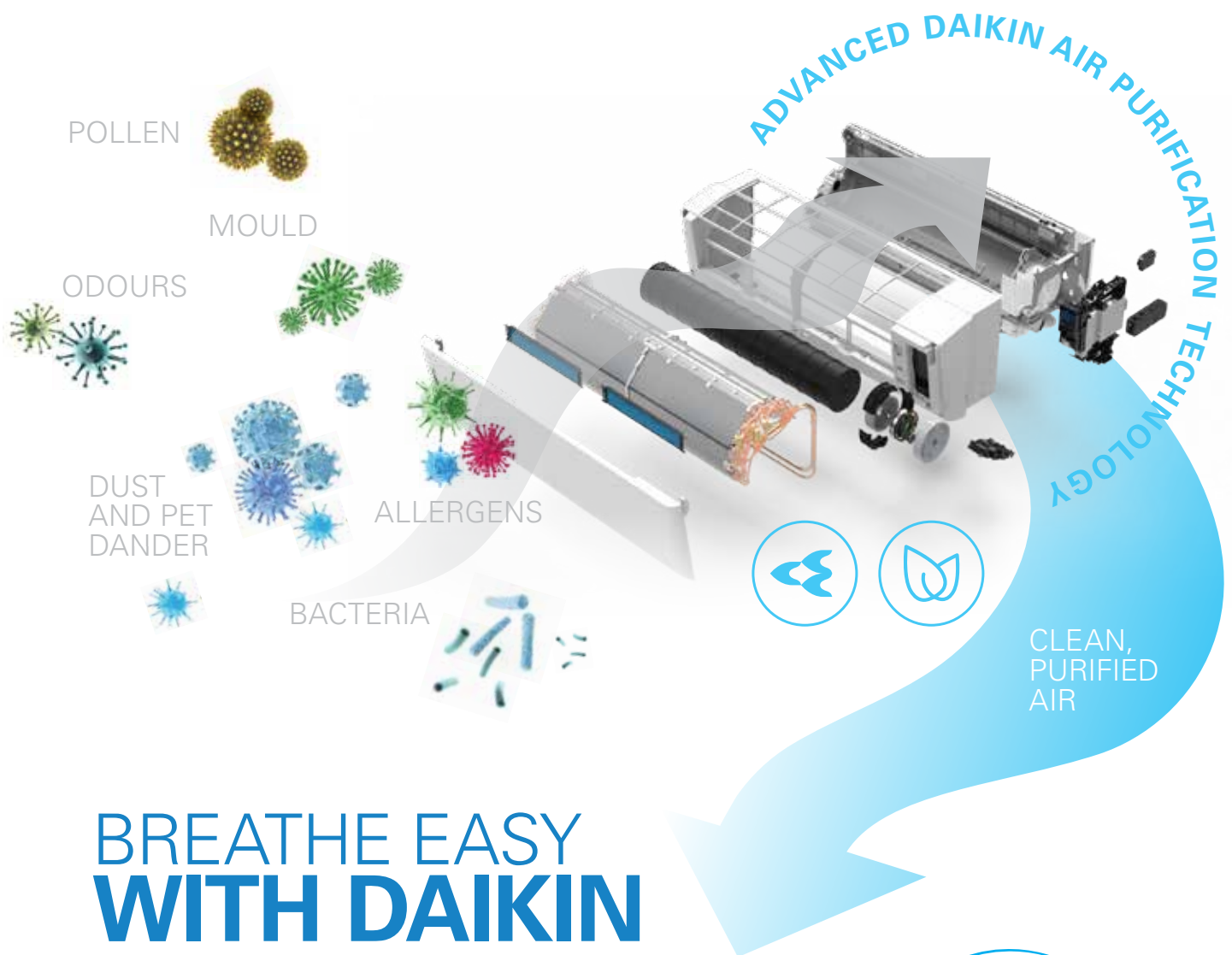
FUNCTION	ZENA VOGUE	ALIRA	CORA	STANDARD SERIES	PERFERA
Start/stop operation	✓	✓	✓	✓	✓
Set operation mode: Auto/Cool/Heat/Fan/Dry	✓	✓	✓	✓	✓
Set temperature operation	✓	✓	✓	✓	✓
Set fan speed	✓	✓	✓^	✓^	✓
Set airflow direction	✓	✓	✓^	✓^	✓**
Show room temperature	✓	✓	✓	✓	✓
Group control	✓	✓	✓	✓	-
Error notification	✓	✓	✓	✓	-
Set weekly schedule: - Start/stop operation - Select operation mode - Set temperature Maximum 6 actions per day	✓	✓	✓	✓	-
Vacation mode	✓	✓	✓	✓	-

^Not available on Cora 85-95 Class and Standard 85-95 Class

**Only control upper louver- swing or no swing

The Daikin mobile controller app is available for download, free from the Apple App Store or Google Play. To download, search 'Daikin Mobile Controller' in the Apple App Store or Google Play.

*BRP072C42 includes Modbus protocol, Remote Control PCB (BRP067A42 or BRP980B42) also required for some models, see features checklist on page 31 for details



BREATHE EASY WITH DAIKIN

Daikin Split Heat Pumps are approved by the Sensitive Choice New Zealand® program.

The Sensitive Choice® program was created to help identify products better suited for people who suffer from asthma and allergies. Daikin Split Heat Pumps and Air Purifiers are recognised by the Sensitive Choice® program, and carry the Blue Butterfly symbol.



ADVANCED AIR PURIFICATION



Daikin offers a range of Sensitive Choice approved filters and purifying units. All Daikin units are fitted with a naturally antibacterial air purifying filter, and for more advanced air purification, a titanium apatite deodorising air purification filter is also installed in most split units. A titanium apatite filter will not only trap most microscopic airborne particles, but also assist to decompose odours, absorb and deactivate bacteria.



For truly heavy-duty air purification, Daikin's advanced streamer technology is available with the Air Purifier, Alira, Zena Vogue and Perfera. The high speed electron discharge destroys bacteria, mould and allergens at a much higher speed than most conventional units, leaving your air safe to breathe.

Music to the ears of every sensitive nose.


HOW TO CHOOSE A HEATPUMP

Split heat pumps are a good choice for people wanting to heat single rooms conveniently and with lower running costs. In a split system, one indoor air conditioning unit is connected to an outdoor unit installed on the exterior of your house. It is important that you speak to a Daikin Specialist who will select the correct size for your space.

To give a rough idea of the heating capacity you might require for your space, you can take your floor area in square metres and multiply by 120W per m² for a newer, insulated house and 150W per m² for an older less insulated house.* Please note that an accurate survey of the space to be air conditioned must follow.

For example:

1.44 kW
HEATING CAPACITY REQUIRED



12m²

3M X 4M SINGLE BEDROOM

12m² x 120W = 1.44kW heating load
This room might require a 20 class unit.

3.0 kW
HEATING CAPACITY REQUIRED



20m²

OLDER DOUBLE BEDROOM 4M X 5M

20m² x 150W = 3.0kW heating load
This room might require a 25 class unit.

4.6 kW
HEATING CAPACITY REQUIRED



30m²

5M X 6M LARGE OLDER MASTER BEDROOM

30m² x 150W = 4.6kW heating load
This room might require a 46 class unit.

8.6 kW
HEATING CAPACITY REQUIRED



72m²

LIVING ROOM AND DINING SPACE 6M X 12M

72m² x 120W = 8.6kW heating load
This room might require an 85 class unit.

HOW TO BUY A DAIKIN PRODUCT

Buying a new Daikin is as simple as contacting one of our trusted **Daikin Specialists**. Our Specialists have years of local experience and expertise in the air conditioning industry, ensuring that you get top quality advice and support for your needs.

IN-HOME QUOTATION

Daikin Specialists provide custom designed solutions for your home through an in-home quotation. Specialists will not only supply and install the best possible air conditioning solution but will also provide ongoing maintenance to ensure peak efficient performance over the life of the system.

To take the stress out of air conditioning your home, speak to a Daikin Specialist. With over 50 Specialist Dealers across New Zealand, we are ready to help you fit the right air conditioning solution for your home.



**5 YEAR
WARRANTY**

DAIKIN SPLIT SYSTEMS COME WITH A 5 YEAR PARTS AND LABOUR WARRANTY TO GIVE YOU PEACE OF MIND WHEN PURCHASING A NEW DAIKIN.

Subject to Conditions

To find your nearest Daikin Specialist, visit: www.daikin.co.nz or call 0800 20 90 10

PRODUCT SPECIFICATION

Aira - Reverse Cycle



20-46 CLASS



50-71 CLASS



INDOOR UNIT		FTXM20WVMA	FTXM25WVMA	FTXM35WVMA	FTXM46WVMA	FTXM50WVMA	FTXM60WVMA	FTXM71WVMA	
OUTDOOR UNIT		RXM20WVMA	RXM25WVMA	RXM35WVMA	RXM46WVMA	RXM50WVMA	RXM60WVMA	RXM71WVMA	
Rated Capacity	Cool (kW)	2.2	2.5	3.5	4.6	5.0	6.0	7.1	
	Heat (kW)	2.7	3.2	3.7	4.7	6.0	7.2	8.0	
Capacity Range	Cool (kW)	1.1-2.8	1.1-3.7	1.1-4.2	0.9-5.5	1.1-6.7	1.1-7.5	2.0-8.9	
	Heat (kW)	1.1-4.4	1.1-5.4	1.1-5.5	1.0-6.7	1.0-8.0	1.0-9.8	2.0-10.8	
Indoor Airflow Rate (H)	Cool (l/s)	228	242	242	253	342	395	410	
	Heat (l/s)	223	223	242	250	342	395	410	
Indoor Fan Speeds		5 steps, quiet and automatic							
Star Rating (Hot/Avg/Cold) ZERL (Residential)	Cool	6/5.5/5.5	6/5.5/6	5/5/5	4.5/4/4.5	5.5/5/5	4.5/4.5/5	4/3/3.5	
	Heat	3.5/3.5/3	4/3.5/3	3.5/3.5/3	4/3.5/3	4/3.5/3	4/3/2.5	3.5/3/2.5	
Front Panel Colour		White							
Power Supply		1 phase, 220-240V, 50Hz							
Power Input (Rated)	Cool (kW)	0.42	0.47	0.80	1.17	1.13	1.48	2.00	
	Heat (kW)	0.50	0.64	0.76	1.04	1.23	1.61	1.96	
E.E.R./C.O.P	Cool/Heat	5.3/5.4	5.38/5.0	4.38/4.89	3.95/4.52	4.42/4.88	4.05/4.47	3.55/4.08	
T.C.S.P.F (Residential)	Hot/Avg/Cold	7.87/7.15/7.39	7.95/7.29/7.55	6.98/6.61/6.96	6.09/5.71/6.06	7.00/6.56/6.99	6.49/6.11/6.55	5.50/4.87/5.07	
H.S.P.F (Residential)	Hot/Avg/Cold	5.34/5.13/4.76	5.50/5.12/4.71	5.44/5.02/4.50	5.61/5.03/4.52	5.84/5.25/4.60	5.50/4.90/4.26	5.10/4.54/4.00	
A.E.E.R./A.C.O.P	Cool/Heat	5.25/5.36	5.33/4.97	4.36/4.86	3.94/4.50	4.41/4.86	4.04/4.46	3.54/4.07	
Dimensions (HxWxD)	Indoor (mm)	299x920x275				299x1100x275			
	Outdoor (mm)	550x675x284			695x930x350				
Weight	Indoor (kg)	13	13	13	13	15	15	15	
	Outdoor (kg)	28	30	30	51	54	54	60	
Compressor Type		Hermetically Sealed Swing Type							
Refrigerant Type		R-32							
Max Pipe Length	(m)	20	20	20	30	30	30	30	
Max Level Difference	(m)	15	15	15	20	20	20	20	
Pipe Sizes	Liquid (mm)	6.4	6.4	6.4	6.4	6.4	6.4	6.4	
	Gas (mm)	9.5	9.5	9.5	12.7	12.7	12.7	15.9	
Outdoor Operating Range (min.-max.)	Cool (°CDB)	-10 ~ 46							
	Heat (°CWB)	-15 ~ 18							
Indoor Sound Level (H/SL)	Cool (dBA)	39/19	41/19	42/19	43/26	45/28	48/29	49/30	
	Heat (dBA)	39/20	40/20	42/20	43/26	45/28	48/29	49/30	
Outdoor Sound Power	Cool (dBA)	46/43	47/43	49/44	47/44	47/44	49/45	53/49	
	Heat (dBA)	47/44	48/44	49/45	48/45	48/45	52/45	54/49	
Outdoor EPA Sound Power Level (H)	Cool (dBA)	58	59	61	59	59	61	66	
	Heat (dBA)	59	60	61	60	60	64	66	

PRODUCT SPECIFICATION

Zena Vogue - Reverse Cycle



WHITE HAIRLINE FINISH



BLACKWOOD FINISH



INDOOR UNIT		FTXJ25TVMAW	FTXJ35TVMAW	FTXJ50TVMAW	FTXJ60TVMAW	FTXJ25TVMAK	FTXJ35TVMAK	FTXJ50TVMAK	FTXJ60TVMAK
OUTDOOR UNIT		RXJ25TVMA	RXJ35TVMA	RXJ50TVMA	RXJ60TVMA	RXJ25TVMA	RXJ35TVMA	RXJ50TVMA	RXJ60TVMA
Rated Capacity	Cool (kW)	2.5	3.5	5.0	6.0	2.5	3.5	5.0	6.0
	Heat (kW)	3.2	3.7	6.0	7.2	3.2	3.7	6.0	7.2
Capacity Range	Cool (kW)	0.9-3.7	0.9-4.2	1.1-5.6	1.1-6.5	0.9-3.7	0.9-4.2	1.1-5.6	1.1-6.5
	Heat (kW)	0.9-5.0	0.9-5.2	1.0-7.9	1.0-8.2	0.9-5.0	0.9-5.2	1.0-7.9	1.0-8.2
Indoor Airflow Rate (H)	Cool (l/s)	177	190	218	243	177	190	218	243
	Heat (l/s)	203	212	238	273	203	212	238	273
Indoor Fan Speeds		5 steps, quiet and automatic							
Star Rating (Hot/Avg/Cold) ZERL (Residential)	Cool	4/3.5/3.5	3.5/3.5/3.5	3.5/3/3	2.5/2.5/2.5	4/3.5/3.5	3.5/3.5/3.5	3.5/3/3	2.5/2.5/2.5
	Heat	3/3/2.5	3/2.5/2.5	3.5/3/3	3/2.5/2	3/3/2.5	3/2.5/2.5	3.5/3/3	3/2.5/2
Front Panel Colour		White Hair Line				Black Wood			
Power Supply		1 phase, 220-240V, 50Hz							
Power Input (Rated)	Cool (kW)	0.49	0.81	1.32	1.83	0.49	0.81	1.32	1.83
	Heat (kW)	0.66	0.81	1.49	1.88	0.66	0.81	1.49	1.88
E.E.R/C.O.P	Cool/Heat	5.10/4.85	4.32/4.57	3.79/4.03	3.28/3.83	5.10/4.85	4.32/4.57	3.79/4.03	3.28/3.83
T.C.S.P.F (Residential)	Hot/Avg/Cold	5.91/5.43/5.47	5.50/5.13/5.27	5.07/4.73/4.90	4.43/4.17/4.34	5.91/5.43/5.47	5.50/5.13/5.27	5.07/4.73/4.90	4.43/4.17/4.34
H.S.P.F (Residential)	Hot/Avg/Cold	4.93/4.70/4.40	4.62/4.41/4.07	4.67/4.29/3.95	4.53/4.14/3.78	4.93/4.70/4.40	4.62/4.41/4.07	4.67/4.29/3.95	4.53/4.14/3.78
A.E.E.R/A.C.O.P	Cool/Heat	5.03/4.80	4.29/4.53	3.76/4.00	3.26/3.81	5.03/4.80	4.29/4.53	3.76/4.00	3.26/3.81
Dimensions (HxWxD)	Indoor (mm)	295 x 798 x 185				295 x 798 x 185			
	Outdoor (mm)	550 x 675 x 284		695 x 930 x 350		550 x 675 x 284		695 x 930 x 350	
Weight	Indoor (kg)	11	11	11	11	11	11	11	11
	Outdoor (kg)	30	30	54	54	30	30	54	54
Compressor Type		Hermetically Sealed Swing Type							
Refrigerant Type		R32							
Max Pipe Length	(m)	20	20	30	30	20	20	30	30
Max Level Difference	(m)	15	15	20	20	15	15	20	20
Pipe Sizes	Liquid (mm)	6.4	6.4	6.4	6.4	6.4	6.4	6.4	6.4
	Gas (mm)	9.5	9.5	12.7	12.7	9.5	9.5	12.7	12.7
Outdoor Operating Range	Cool (°CDB)	-10 to 46							
	Heat (°CWB)	-15 to 18							
Indoor Sound Level (H/SL)	Cool (dBA)	40/19	42/20	45/32	48/33	40/19	42/20	45/32	48/33
	Heat (dBA)	41/19	42/20	45/32	48/33	41/19	42/20	45/32	48/33
Outdoor Sound Level (H/SL)	Cool (dBA)	47/43	49/44	47/44	49/45	47/43	49/44	47/44	49/45
	Heat (dBA)	48/44	49/45	48/45	52/45	48/44	49/45	48/45	52/45
Outdoor EPA Sound Power Level (H)	Cool (dBA)	59	61	59	61	59	61	59	61
	Heat (dBA)	60	61	60	64	60	61	60	64

ZERL (Residential) refers to 'Zoned Energy Rating Label' residential star rating as outlined in the Energy Efficiency (Energy Using Products) Amendment Regulations 2020.

Note: Please refer to notes on page 42 for the Features Checklist.

PRODUCT SPECIFICATION

Cora - Reverse Cycle



20-71 CLASS



85-95 CLASS



INDOOR UNIT		FTXM20UVMZ	FTXM25UVMZ	FTXM35UVMZ	FTXM46UVMZ	FTXM50UVMZ	FTXM60UVMZ	FTXM71UVMZ	FTXM85PAVMA	FTXM95PAVMA	
OUTDOOR UNIT		RXM20UVMZ	RXM25UVMZ	RXM35UVMZ	RXM46UVMZ	RXM50UVMZ	RXM60UVMZ	RXM71UVMZ	RXM85PAVMA	RXM95PAVMA	
Rated Capacity	Cool (kW)	2.0	2.5	3.5	4.6	5.0	6.0	7.1	8.5	9.4	
	Heat (kW)	2.8	3.3	4.0	5.4	6.1	7.3	8.1	9.0	10.3	
Capacity Range	Cool (kW)	0.9-2.8	0.9-3.7	0.9-4.2	0.9-5.5	1.1-6.7	1.1-7.5	2.0-8.9	2.0-10.5	2.0-11.2	
	Heat (kW)	0.9-4.4	0.9-5.4	0.9-5.5	1.0-6.7	1.0-8.0	1.0-9.8	2.0-10.8	1.9-11.6	1.9-12.0	
Indoor Airflow Rate (H)	Cool (l/s)	152	173	175	203	267	310	310	358	372	
	Heat (l/s)	157	168	183	202	287	333	328	422	413	
Indoor Fan Speeds		5 steps, quiet and automatic									
Star Rating (Hot/Avg/Cold) ZERL (Residential)	Cool	5.5/4.5/5	6/5.5/5.5	5/4.5/5	4/3.5/4	5/4.5/5	4/4/4	3.5/3/3	2.5/2/2	3/2.5/2.5	
	Heat	3/2.5/2.5	3/3/2.5	3/3/2.5	3/2.5/2	3.5/3/2.5	3.5/3/2	3/2.5/2	2.5/2.5/2	2.5/2/1.5	
Front Panel Colour		Pure White									
Power Supply		1 phase, 220-240V, 50Hz									
Power Input (Rated)	Cool (kW)	0.40	0.49	0.81	1.20	1.14	1.52	1.93	2.45	2.75	
	Heat (kW)	0.58	0.68	0.87	1.39	1.34	1.66	1.92	2.42	3.07	
E.E.R/C.O.P	Cool/Heat	5.00/4.83	5.10/4.85	4.32/4.60	3.83/3.89	4.39/4.55	3.95/4.40	3.68/4.22	3.47/3.72	3.42/3.36	
T.C.S.P.F (Residential)	Hot/Avg/Cold	7.03/6.34/6.51	7.77/7.07/7.30	6.77/6.35/6.62	5.69/5.32/5.61	6.90/6.41/6.81	5.92/5.60/5.95	5.37/4.78/4.94	4.34/3.89/3.93	4.71/4.22/4.32	
H.S.P.F (Residential)	Hot/Avg/Cold	4.64/4.50/4.23	4.78/4.60/4.30	4.86/4.55/4.07	4.68/4.22/3.75	5.11/4.71/4.26	5.01/4.56/4.00	4.84/4.41/3.91	4.44/4.02/3.60	4.29/3.75/3.25	
A.E.E.R/A.C.O.P	Cool/Heat	4.93/4.78	5.05/4.81	4.29/4.57	3.81/3.87	4.36/4.53	3.93/4.38	3.62/4.15	3.40/3.65	3.35/3.30	
Dimensions (HxWxD)	Indoor (mm)	285x770x226					295x990x266			340x1200x259	
	Outdoor (mm)	550x675x284				695x930x350				990x940x320	
Weight	Indoor (kg)	9	9	9	9	13	13	13	17	18	
	Outdoor (kg)	28	30	30	51	54	54	60	80	82	
Compressor Type		Hermetically Sealed Swing Type									
Refrigerant Type		R32									
Max Pipe Length	(m)	20	20	20	30	30	30	30	30	30	
Max Level Difference	(m)	15	15	15	20	20	20	20	20	20	
Pipe Sizes	Liquid (mm)	6.4	6.4	6.4	6.4	6.4	6.4	6.4	6.4	6.4	
	Gas (mm)	9.5	9.5	9.5	12.7	12.7	12.7	15.9	15.9	15.9	
Outdoor Operating Range	Cool (°CDB)	-10 to 46									
	Heat (°CWB)	-15 to 18									
Indoor Sound Level (H/SL)	Cool (dBA)	38/19	42/19	42/19	44/26	45/28	48/29	49/30	51/37	53/38	
	Heat (dBA)	39/20	40/20	42/20	43/26	45/28	48/29	49/30	51/35	52/35	
Outdoor Sound Level (H/SL)	Cool (dBA)	46/43	47/43	49/44	47/44	47/44	49/45	53/49	54/51	54/51	
	Heat (dBA)	47/44	48/44	50/45	49/45	48/45	52/45	54/49	56/51	55/51	
Outdoor EPA Sound Power Level (H)	Cool (dBA)	58	59	61	59	59	61	65	66	66	
	Heat (dBA)	59	60	62	61	60	64	66	68	67	

PRODUCT SPECIFICATION

Standard Series - Reverse Cycle



20-71 CLASS



85-95 CLASS



INDOOR UNIT		FTXV20UVMA	FTXV25UVMA	FTXV35UVMA	FTXV46UVMA	FTXV50UVMA	FTXV60UVMA	FTXV71UVMA	FTXV85LVMA	FTXV95LVMA	
OUTDOOR UNIT		RXV20UVMA	RXV25UVMA	RXV35UVMA	RXV46UVMA	RXV50UVMA	RXV60UVMA	RXV71UVMA	RXV85LVMA	RXV95LVMA	
Rated Capacity	Cool (kW)	2.0	2.5	3.5	4.6	5.0	6.0	7.1	8.5	9.4	
	Heat (kW)	2.7	3.2	3.7	4.7	6.0	7.2	8.0	9.0	10.3	
Capacity Range	Cool (kW)	0.9-2.8	0.9-3.7	0.9-4.2	0.9-5.5	1.1-6.7	1.1-7.5	2.0-8.9	2.0-10.5	2.0-11.2	
	Heat (kW)	0.9-4.3	0.9-5.3	0.9-5.3	1.0-6.7	1.0-8.0	1.0-8.6	2.0-10.6	1.9-11.6	1.9-12.0	
Indoor Airflow Rate (H)	Cool (l/s)	152	173	175	203	267	310	310	340	353	
	Heat (l/s)	157	168	183	202	287	333	328	402	393	
Indoor Fan Speeds		5 steps, quiet and automatic									
Star Rating (Hot/Avg/Cold) ZERL (Residential)	Cool	5/4.5/4.5	5.5/5/5	4.5/4.5/4.5	4/3.5/3.5	5/4/4.5	4/3.5/4	3.5/3/3	2.5/2/2	2.5/2/2	
	Heat	3/2.5/2.5	3.5/3/2.5	3/2.5/2.5	3/2.5/2	3/2.5/2.5	3/2.5/2	3/2.5/2	2.5/2/2	2.5/2/1.5	
Front Panel Colour		White							Ivory White*		
Power Supply		1 phase, 220-240V, 50Hz									
Power Input (Rated)	Cool (kW)	0.43	0.52	0.88	1.22	1.28	1.64	1.99	2.49	2.79	
	Heat (kW)	0.59	0.65	0.79	1.18	1.43	1.73	2.03	2.41	3.07	
E.E.R./C.O.P	Cool/Heat	4.65/4.58	4.81/4.92	3.98/4.68	3.77/3.98	3.91/4.20	3.66/4.16	3.57/3.94	3.41/3.73	3.37/3.36	
TCSFP (Residential)	Hot/Avg/Cold	6.78/6.05/6.22	7.33/6.56/6.81	6.42/6.03/6.32	5.61/5.17/5.42	6.53/5.97/6.39	5.71/5.33/5.69	5.31/4.72/4.90	4.29/3.85/3.89	4.34/3.92/3.98	
HSPF (Residential)	Hot/Avg/Cold	4.54/4.37/4.14	5.02/4.78/4.46	4.57/4.40/4.07	4.69/4.29/3.93	4.92/4.48/4.01	4.80/4.37/3.89	4.77/4.29/3.83	4.40/4.00/3.58	4.21/3.71/3.22	
A.E.E.R./A.C.O.P	Cool/Heat	4.58/4.52	4.75/4.87	3.95/4.64	3.74/3.95	3.88/4.17	3.64/4.14	3.48/3.86	3.35/3.66	3.31/3.30	
Dimensions (HxWxD)	Indoor (mm)	285x770x223				295x990x263			340x1200x240		
	Outdoor (mm)	550x675x284				695x930x350			990x940x320		
Weight	Indoor (kg)	9	9	9	9	13	13	13	17	18	
	Outdoor (kg)	28	30	30	51	54	54	60	80	82	
Compressor Type		Hermetically Sealed Swing Type									
Refrigerant Type		R32									
Max Pipe Length	(m)	20	20	20	30	30	30	30	30	30	
Max Level Difference	(m)	15	15	15	20	20	20	20	20	20	
Pipe Sizes	Liquid (mm)	6.4	6.4	6.4	6.4	6.4	6.4	6.4	6.4	6.4	
	Gas (mm)	9.5	9.5	9.5	12.7	12.7	12.7	15.9	15.9	15.9	
Outdoor Operating Range	Cool (°CDB)	-10 to 46									
	Heat (°CWB)	-15 to 18									
Indoor Sound Level (H/SL)	Cool (dBA)	38/19	42/19	42/19	44/26	45/28	48/29	49/30	51/37	53/38	
	Heat (dBA)	39/20	40/20	42/20	43/26	45/28	48/29	49/30	51/35	52/35	
Outdoor Sound Level (H/SL)	Cool (dBA)	46/43	47/43	49/44	47/44	47/44	49/45	53/49	54/51	54/51	
	Heat (dBA)	47/44	48/44	49/45	48/45	48/45	52/45	54/49	56/51	55/51	
Outdoor EPA Sound Power Level (H)	Cool (dBA)	58	59	61	59	59	61	65	66	66	
	Heat (dBA)	59	60	61	60	60	64	66	68	67	

*The front panel colour 'Ivory White' for FTXV85LVMA & FTXV95LVMA is a sort of Grey colour.

ZERL (Residential) refers to 'Zoned Energy Rating Label' residential star rating as outlined in the Energy Efficiency (Energy Using Products) Amendment Regulations 2020.

Note: Please refer to notes on page 42 for the Features Checklist.

PRODUCT SPECIFICATION

Perfera - Reverse Cycle



INDOOR UNIT*		FVXM25A2V1B FVXM25A3V1B	FVXM35A2V1B FVXM35A3V1B	FVXM50A2V1B FVXM50A3V1B
OUTDOOR UNIT*		RXM25R5V1B RXM25R5V1B9	RXM35R5V1B RXM35R5V1B9	RXM50R2V1B RXM50R5V1B
Rated Capacity	Cool (kW)	2.4	3.4	5.0
	Heat (kW)	3.4	4.5	5.8
Capacity Range	Cool (kW)	1.3-3.5	1.4-4.0	1.4-5.8
	Heat (kW)	1.3-4.7	1.4-5.8	1.4-8.10
Indoor Airflow Rate (H)	Cool (l/s)	310	320	193
	Heat (l/s)	157	157	213
Indoor Fan Speeds		5		
Star Rating (Hot/Avg/Cold) ZERL (Residential)	Cool	4/3.5/3	4.5/3.5/3.5	4/3/3.5
	Heat	2.5/2.5/2	3/2.5/2	3/2.5/2
Front Panel Colour		White		
Power Supply		1 phase, 220-240V, 50Hz		
Power Input (Rated)	Cool (kW)	0.537	0.848	1.312
	Heat (kW)	0.747	1.154	1.522
E.E.R./C.O.P	Cool/Heat	4.47/4.55	4.01/3.90	3.81/3.81
TCSPP (Residential)	Hot/Avg/Cold	5.933/5.007/4.987	6.274/5.338/5.435	5.568/4.920/5.040
HSPF (Residential)	Hot/Avg/Cold	4.377/4.227/3.909	4.965/4.241/3.569	4.872/4.327/3.875
A.E.E.R./A.C.O.P	Cool/Heat	4.33/4.45	3.93/3.84	3.75/3.76
Dimensions (HxWxD)	Indoor (mm)	600x750x238		
	Outdoor (mm)	550x765x285		734x870x373
Weight	Indoor (kg)	17		
	Outdoor (kg)	32		49
Compressor Type		Hermetically Sealed Swing Type		
Refrigerant Type		R-32		
Max Pipe Length	(m)	20		30
Max Level Difference	(m)	15		20
Additional Refrigerant Charge	(kg/m)	0.02 (for piping length exceeding 10 metres)		
Pipe Sizes	Liquid (mm)	6.3		
	Gas (mm)	9.5		12.7
Outdoor Operating Range (min.-max.)	Cool (°CDB)	-10 ~ 46		
	Heat (°CWB)	-20 ~ 18		
Indoor Sound Level (H/SL)	Cool (dBA)	38/20	39/20	44/27
	Heat (dBA)	38/19	39/19	46/29
Outdoor Sound Power	Cool (dBA)	58	61	62
	Heat (dBA)	59	61	62

*All indoor and outdoor units are compatible and identical to each other based on the same capacity.

ZERL (Residential) refers to 'Zoned Energy Rating Label' residential star rating as outlined in the Energy Efficiency (Energy Using Products) Amendment Regulations 2020.

Note: Please refer to notes on page 42 for the Features Checklist.

PRODUCT SPECIFICATION

Floor Standing- Reverse Cycle



INDOOR UNIT		FVXS25RV1A	FVXS35RV1A	FVXS45RV1A	FVXS50RV1A	FVXS60LVMA	FVXS71LVMA
OUTDOOR UNIT		RXS25RV1A	RXS35RV1A	RXS45RV1A	RXS50RV1A	RXS60LAVMA	RXS71LAVMA
Rated Capacity	Cool (kW)	2.46	3.5	4.5	5.0	6.0	7.1
	Heat (kW)	2.9	4.52	5.56	5.8	7.0	7.65
Capacity Range	Cool (kW)	1.3-3.0	1.7-3.8	1.7-5.0	1.7-5.6	2.3-6.7	3.0-8.5
	Heat (kW)	1.3-4.5	1.7-5.0	1.7-8.1	1.7-8.1	2.3-9.0	3.0-10.0
Indoor Airflow Rate (H)	Cool (l/s)	137	147	178	260	292	273
	Heat (l/s)	170	170	218	327	285	317
Indoor Fan Speeds		5 steps, quiet and automatic					
Star Rating (Hot/Avg/Cold) ZERL (Residential)	Cool	3.5/3/3.5	3.5/3/3	3/2.5/2.5	4/3.5/3.5	3/2.5/3	3/2.5/3
	Heat	3.5/3/2.5	3/2.5/2	3/2.5/2	3.5/2.5/2	2.5/2/1.5	2/2/1.5
Front Panel Colour		White					
Power Supply		1 phase, 220-240V, 50Hz					
Power Input (Rated)	Cool (kW)	0.59	0.91	1.35	1.29	1.7	2.13
	Heat (kW)	0.63	1.16	1.45	1.44	2.03	2.21
E.E.R./C.O.P	Cool/Heat	4.17/4.60	3.85/3.90	3.33/3.83	3.88/4.03	3.53/3.45	3.33/3.46
T.C.S.P.F (Residential)	Hot/Avg/Cold	5.30/4.93/5.06	5.07/4.76/4.92	4.52/4.27/4.45	5.52/5.22/5.49	4.73/4.49/4.68	4.64/4.42/4.64
H.S.P.F (Residential)	Hot/Avg/Cold	5.14/4.76/4.37	4.61/4.20/3.81	4.68/4.16/3.62	5.02/4.49/4.00	4.02/3.66/3.26	3.81/3.53/3.21
A.E.E.R./A.C.O.P	Cool/Heat	4.12/4.55	3.82/3.87	3.32/3.82	3.86/4.01	3.51/3.44	3.32/3.45
Dimensions (HxWxD)	Indoor (mm)	600x700x210				770x850x290	
	Outdoor (mm)	550x765x285	735x825x300			770x900x320	990 x 940 x 320
Weight	Indoor (kg)	14	14	14	25	25	25
	Outdoor (kg)	34	46	46	46	71	80
Compressor Type		Hermetically sealed swing type					
Refrigerant Type		R410A					
Max Pipe Length	(m)	20	30	30	30	30	30
Max Level Difference	(m)	15	20	20	20	20	20
Pipe Sizes	Liquid (mm)	6.4	6.4	6.4	6.4	6.4	9.5
	Gas (mm)	9.5	12.7	12.7	12.7	12.7	15.9
Outdoor Operating Range	Cool (°CDB)	10 to 46					
	Heat (°CWB)	-15 to 18					
Indoor Sound Level (H/SL)	Cool (dBA)	38/23	39/24	44/32	45/32	47/33	46/33
	Heat (dBA)	41/23	41/24	48/32	49/32	45/33	47/34
Outdoor Sound Level (H/SL)	Cool (dBA)	46/43	47/44	47/44	47/44	49/46	52/49
	Heat (dBA)	50/44	50/45	51/45	51/45	49/46	54/50
Outdoor EPA Sound Power Level (H)	Cool (dBA)	58	59	59	59	63	66
	Heat (dBA)	62	62	63	63	63	66

ZERL (Residential) refers to 'Zoned Energy Rating Label' residential star rating as outlined in the Energy Efficiency (Energy Using Products) Amendment Regulations 2020.

Note: Please refer to notes on page 42 for the Features Checklist.





CUSTOMISE **YOUR HOME**

Sometimes you need more than a single high wall or floor mounted unit. Whatever the size of your home we have a solution to suit you.



2.8kW
-TO-
11.0kW

RATED HEATING
CAPACITIES

4

MODELS

SUPER MULTI NX

MULTI-SPLIT AIR CONDITIONERS

MAKE EVERY ROOM A COMFORT ZONE

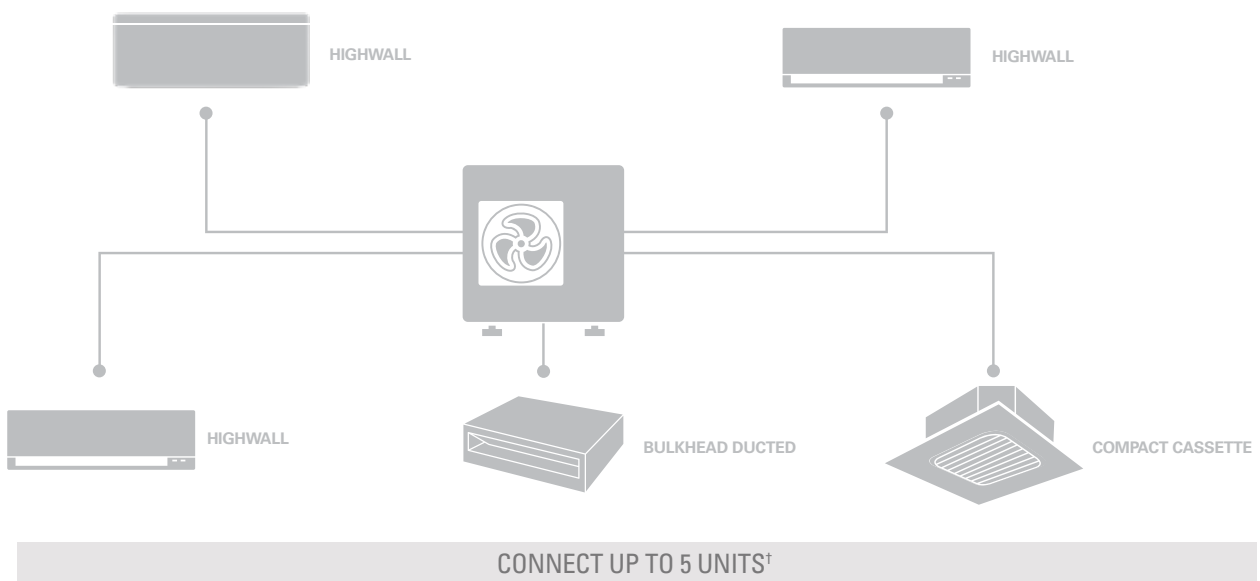
IDEAL FOR
SMALLER
HOMES

REVERSE
CYCLE

If you're after multi room air conditioning, Daikin's Super Multi NX is the clever choice. It takes only one Super Multi NX outdoor unit to maintain comfort in up to five rooms.



DAIKIN
MOBILE CONTROLLER
OPTION*





DESIGN FLEXIBILITY

Daikin's multi room heat pumps use a single outdoor unit connected to multiple indoor units, thus reducing the outdoor space required and simplifying the installation.



CONVENIENT CONTROL

For convenient controls, both our wired and wireless controllers enable individual control of settings such as temperature, airflow volume and scheduled operations.



TRULY VERSATILE

As many as 5 indoor units can be connected to a single outdoor unit combined with a broad selection of indoor units ranging from wall mounted, floor standing, bulkhead, cassettes and ceiling suspended units.



PRIORITY ROOM SETTING

The feature allows you to shift capacity from the other rooms to your priority room when required for rapid cooling or heating of that space.



INDIVIDUAL COMFORT

Each indoor unit can be individually controlled, scheduled and set to the desired room temperature ensuring optimal comfort for all occupants in the household at anytime. **



INTELLIGENT COMFORT

Wall mounted indoor units feature Daikin's Intelligent Eye human sensor that ensures draught free comfort and automatically enables energy saving operations when the room is unoccupied.

INDOOR AND OUTDOOR UNIT RANGE

R32

INDOOR UNITS – R32 OPTIONS									
TYPE	CAPACITY CLASS								
	2.0	2.5	3.5	4.6	5.0	6.0	7.1	8.5	9.5
High Wall	✓	✓	✓	✓	✓	✓	✓	✓	✓
Ducted		✓	✓		✓	✓	✓		
Cassette		✓	✓		✓	✓			

R32

OUTDOOR UNITS – R32 OPTIONS		
MAXIMUM CONNECTABLE INDOOR UNITS	MODEL	CAPACITY CLASS (KW)
Up to 3 Indoor Units	3MXM52RVMA	5.2
Up to 4 Indoor Units	4MXM68RVMA	6.8
	4MXM80RVMA	8.0
Up to 5 Indoor Units	5MXM100RVMA	10.0

* Selected models only.

**User can select the unit to operate in either cooling or heating mode, not both cooling and heating simultaneously.

†Please refer to the 'Outdoor Units' table for the maximum number of connectable indoor units for each outdoor unit model.

10kW
-TO-
26kW

RATED HEATING CAPACITIES

6
MODELS

IDEAL FOR
LARGER
HOMES

REVERSE
CYCLE

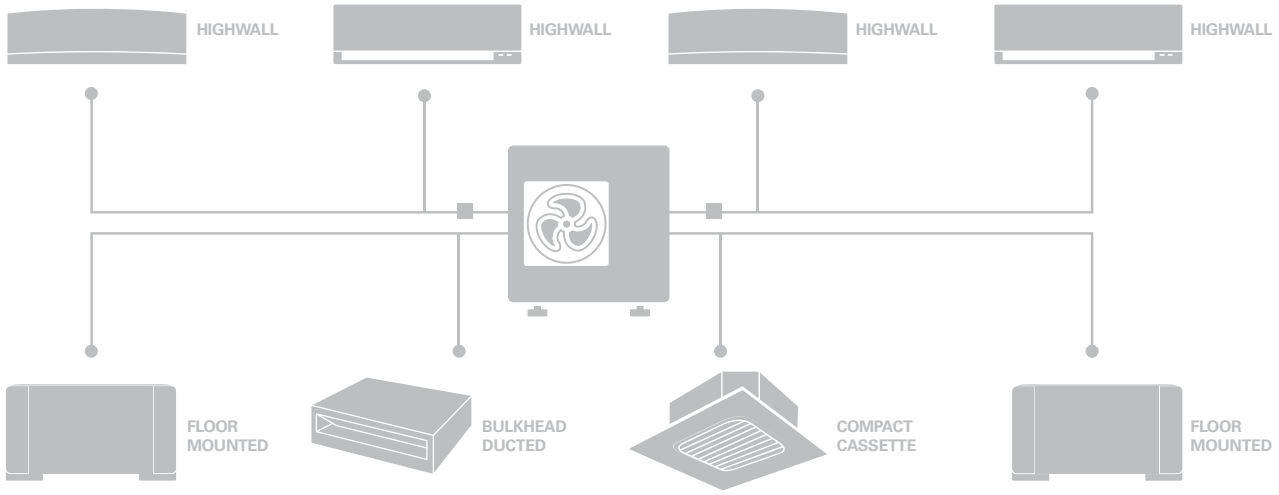
VRV URBAN SERIES

BRINGING INNOVATION
TO YOUR HOME

The ultimate multi room air conditioning system with a wide selection of indoor and outdoor units to suit a variety of room sizes and designs for medium to large size homes.



DAIKIN AIRBASE



CONNECT UP TO 14 UNITS†



ADVANCED TECHNOLOGY

VRV IV-S incorporates the latest technology from our VRV commercial heat pumps including remarkable energy efficiency, quiet operations and long piping runs of up to 100m*** for flexible condenser placement.



COMPACT FOOTPRINT

Available in a range of heating capacities from 10.0kW up to 26.0kW whilst maintaining a compact installation footprint. This allows you to place the outdoor unit out of sight without compromise to your home's external decor.



ULTIMATE VERSATILITY

As many as 14 indoor units can be connected to a single outdoor unit combined with a broad selection of indoor units ranging from wall mounted, floor standing, bulkhead, cassettes and ceiling suspended units.



WHISPER QUIET

VRV IV-S is not just compact in size but also quiet in operations, featuring a night time quiet mode that reduces the outdoor unit noise level down to 43dBA (RXYMQ4AV4A Model) for minimal impact to the neighbours.



INDIVIDUAL COMFORT

Each indoor unit can be individually controlled, scheduled and set to the desired room temperature ensuring optimal comfort for all occupants in the household at anytime.****



INTELLIGENT COMFORT

Wall mounted indoor units feature Daikin's Intelligent Eye human sensor that ensures draught free comfort and automatically enables energy saving operations when the room is unoccupied.

INDOOR AND OUTDOOR UNIT RANGE

INDOOR UNITS																
TYPE	CAPACITY CLASS															
	20	25	32	40	50	63	71	80	100	125	140	145	160	180	200	250
Cassette	✓	✓	✓	✓	✓	✓	✓	✓	✓	✓	✓					
Ducted	✓	✓	✓	✓	✓	✓		✓	✓	✓	✓	✓	✓	✓	✓	✓
Ceiling Suspended			✓			✓	✓		✓	✓	✓					
High Wall	✓	✓	✓	✓	✓	✓										
Floor Mounted	✓	✓	✓	✓	✓	✓										

OUTDOOR UNITS		
MAXIMUM CONNECTABLE INDOOR UNITS	MODEL	HEATING CAPACITY (KW)
Up to 5 Indoor Units	RXYMQ3AV4A	10.0
Up to 6 Indoor Units	RXYMQ4AV4A	12.5
Up to 8 Indoor Units	RXYMQ5BVM	14.0
Up to 9 Indoor Units	RXYMQ6BVM	16.0
Up to 13 Indoor Units	RXYMQ8AY1	25.0
Up to 14 Indoor Units	RXYMQ9AY1	26.0

*VRV WiFi smartphone control system can be realized by SVMPR1 smart module to utilize DTA116A51 adapter card.

**Selected VRV ducted indoor unit only.

***Applies to RXYMQ6AV4A, RXYMQ8AY1 and RXYMQ9AY1 models only.

****User can select the unit to operate in either cooling or heating mode, not both cooling and heating simultaneously.

†Please refer to the 'Outdoor Units' table for the maximum number of connectable indoor units for each outdoor unit model.



DUCTED

R32

REVERSE
CYCLE

DISCREET COMFORT

A Daikin Ducted Heat Pump provides discreet air conditioned comfort throughout your entire home. It can be installed in a new home or tailored to suit an existing one, and once installed, only the controller, the return air and discharge grilles are visible inside your home.



DAIKIN AIRBASE

CONTROL AND MONITOR YOUR DAIKIN DUCTED AIR CONDITIONER FROM YOUR IOS SMARTPHONE OR TABLET VIA WI-FI OR INTERNET.

Standard functions such as On/Off, temperature, fan speed and mode of operation are easily set or monitored via the App. Additional functions such as easy set On/Off timers, Push notification, Interactive setup wizard, Daikin Specialist contact details and maintenance functions are also provided. Depending on the model of air conditioner, indoor and outdoor temperature is also displayed.

If a Daikin Zone Controller is fitted to the air conditioner, the naming and remote control of zone dampers is also supported.



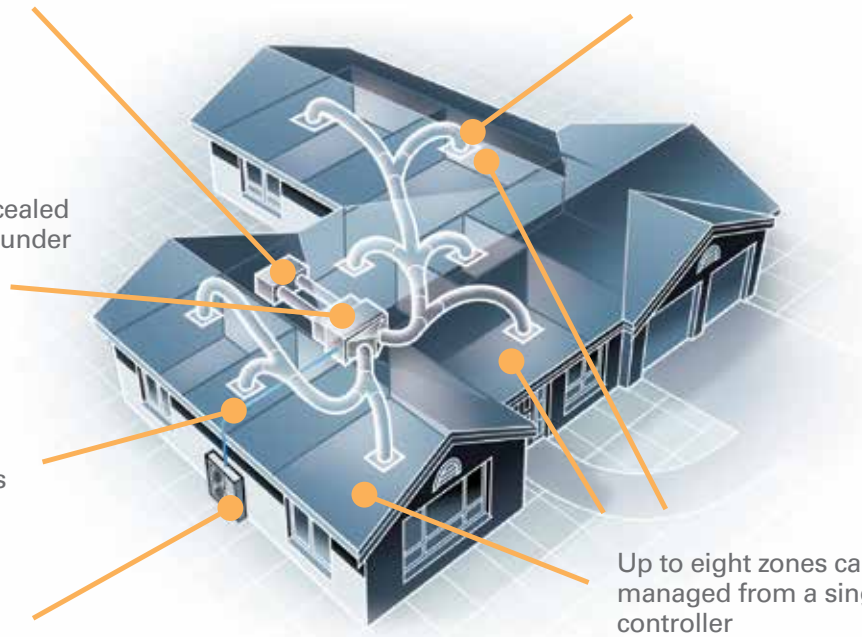
Return air grille with filter to remove household dust

Ducting distributes conditioned air throughout your home

Indoor unit concealed in the ceiling or under the floor*

Small diameter, concealed refrigerant pipes

Outdoor unit



Up to eight zones can be managed from a single controller

DUCTED

*Regarding the R32 ducted models only, please consult with your account manager for underfloor installations due to standard requirements.



FEATURES CHECKLIST

REVERSE CYCLE
(HEATING & COOLING)

	HIGH WALL UNITS				FLOOR STANDING UNITS	
	ALIRA	ZENA VOGUE	CORA	STANDARD SERIES	PERFERA	FLOOR STANDING
	FTXM20WVMA FTXM25WVMA FTXM35WVMA FTXM46WVMA FTXM50WVMA FTXM60WVMA FTXM71WVMA	FTXJ25TVMAW FTXJ35TVMAW FTXJ50TVMAW FTXJ60TVMAW FTXJ25TVMAK FTXJ35TVMAK FTXJ50TVMAK FTXJ60TVMAK	FTXM20UVMZ FTXM25UVMZ FTXM35UVMZ FTXM46UVMZ FTXM50UVMZ FTXM60UVMZ FTXM71UVMZ FTXM85PAVMA FTXM95PAVMA	FTXV20UVMA FTXV25UVMA FTXV35UVMA FTXV46UVMA FTXV50UVMA FTXV60UVMA FTXV71UVMA FTXV85LVMA FTXV95LVMA	FVXM25A2V1B FVXM35A2V1B FVXM50A2V1B	FVXS25RV1A FVXS35RV1A FVXS45RV1A FVXS50RV1A FVXS60LVMA FVXS71LVMA
DC Inverter	✓	✓	✓	✓	✓	✓
PAM Control	✓	✓	✓	✓	✓	✓
Standby Power Function	✓	✓	✓	✓	✓	✓
Power-Airflow Flaps			✓ ₁	✓ ₁		
Power-Airflow Dual Flaps	✓	✓	✓	✓		
Wider Angle Louvres		✓	✓	✓	✓	✓
Vertical Auto-Swing (up and down)	✓	✓	✓	✓	✓	✓
Horizontal Auto-Swing (right and left)	✓	✓	✓	✓		
3-D Airflow	✓	✓	✓	✓		
Comfort Airflow	✓	✓	✓	✓		
Indoor Unit Quiet Operation	✓		✓	✓	✓	✓
Outdoor Unit Quiet Operation	✓	✓	✓	✓	✓	✓
Intelligent Eye	✓ ₂		✓ ₂	✓ ₂		
2-Area Intelligent Eye	✓ ₁	✓	✓ ₁	✓ ₁		
Grid Eye Sensor		✓				
Automatic Operation	✓	✓	✓	✓	✓	✓
Program Dry Function	✓		✓	✓	✓	✓
Auto Fan Speed	✓	✓	✓	✓	✓	✓
Hot Start	✓	✓	✓	✓	✓	✓
Titanium Apatite Deodorising Filter		✓			✓	✓
Enzyme Blue Deodorising Filter	✓		✓	✓		
Air-Purifying Filter	✓	✓	✓	✓	✓	✓
Streamer Technology	✓	✓			✓	
Mould Proof Operation	✓					
Odour Removal Function			✓ ₅			
Wipe Clean	✓	✓	✓	✓	✓	✓
Econo Mode	✓	✓	✓	✓	✓	✓
Heat Boost / Floor Warming / Heat Plus					✓	
Powerful Operation	✓	✓	✓	✓	✓	✓
LCD Wireless Remote Control	✓	✓	✓	✓	✓	✓
Indoor Unit On/Off Switch	✓	✓	✓	✓	✓	✓
24-Hour On/Off Timer	✓	✓	✓	✓	✓	✓
Weekly Timer	✓	✓	✓	✓	✓	✓
Nightset Mode	✓	✓	✓	✓	✓	✓
Auto-Restart after Power Failure	✓	✓	✓	✓	✓	✓
Self Diagnosis with Digital Display	✓	✓	✓	✓	✓	✓
Anticorrosion Treatment of Outdoor Heat Exchanger Fan	✓	✓	✓	✓	✓	✓
Demand Enabled Response (DRED)	✓ ₃	✓	✓ ₃	✓ ₃		
Wireless LAN Connection	✓	✓	✓ ₄	✓ ₄	✓ ₆	
0.5°C Step Room Temperature Control	✓	✓	✓ ₇	✓ ₇		

1. Only available for 2.0-4.6 kW Class
2. Only available for 5.0-9.5 kW Class
3. Optional Accessory
4. Optional Accessory, Remote Control PCB also required (BRP067A42 for 20-46 Class, BRP980B42 for 50-71 Class)
5. Only available for 2.0-7.1 kW
6. Optional Accessory and KER087A41 also required
7. Only available for 2.0-7.1 kW Class

Notes

- i. The Rated Capacity, Power Input and Running Current are determined under conditions T1 (cooling) or H1 (heating) of AS/NZS 3823.1.1.
Cooling: Indoor temp: 27°CDB/19°CWB
Outdoor temp: 35°CDB/24°CWB
Heating: Indoor temp: 20°CDB/15°CWB
Outdoor temp: 7°CDB/6°CWB
- ii. The cooling (or heating) output capacity will be reduced below the rated value as the outdoor temperature approaches the maximum (or minimum) outdoor temperature operating range limit.

- iii. Indoor and outdoor unit sound levels are determined in an anechoic chamber at a distance of 1 metre from the front of the unit. They are normally higher during actual operation due to ambient conditions.
- iv. Inverter heat pumps do not have a current surge during start up. The compressor start current of an inverter heat pump is typically lower than specified running current.
- v. The specifications, designs and information in this brochure are subject to change without notice. Unit colours shown are as close as possible to actual unit colours. Colours depicted in this brochure may vary slightly.



The specifications, designs and information in this brochure are subject to Change without notice. Unit colours shown are as close as possible to actual unit colours. Colours depicted in this brochure may vary slightly.

ASSUMPTIONS

All representations made in Daikin marketing and promotional material are based on the assumptions that the correct equipment has been selected, appropriately sized and installed in accordance with Daikin's installation instructions and standard industry practices.

QUALITY CERTIFICATIONS

Daikin Industries Ltd was the first air conditioning equipment manufacturer in Japan to receive ISO 9001 certification. All Daikin manufacturing facilities have been certified to ISO 9001 Quality Management System requirements. ISO 9001 is a certificate for quality assurance concerning 'design, development, manufacturing, installation and related service' of products manufactured at that factory.

ENVIRONMENTAL CERTIFICATIONS

Daikin Industries Ltd has received ISO 14001 Environmental Certification for the Daikin production facilities listed below. ISO 14001 is an international standard specifying requirement for an environmental management system, enabling an organisation to formulate policy and objectives, taking into account legislative requirements and information about significant environmental impacts. It applies to those environmental aspects within the organisation's control and over which it can be expected to have an influence.

The certification relates only to the environmental management system and does not constitute any endorsement of the products shipped from the facility by the International Organisation for Standardisation.

Head Office / Tokyo Office
Shiga Plant (Japan)
Sakai Plant (Japan)
Daikin Industries (Thailand) Ltd
Yodogawa Plant (Japan)
Daikin Australia Pty. Ltd.

Certificate number: EC02J0355
Certificate number: EC99J2044
Certificate number: JOA-E-80009
Certificate number: JOA-E-90108
Certificate number: EC99J2057
Certificate number: CEM20437

**Daikin Air Conditioning
New Zealand Limited
(ISO 9001)**
QMS42380
Auckland



**Residential Air Conditioning
Manufacturing Div (ISO 9001)**
JOA-0486 May 2, 1994
(Shiga Plant)

**Commercial Air Conditioning
and Refrigeration
Manufacturing Div (ISO 9001)**
JMI0107 December 28, 1992
(Kanaoka Factory and Rinkai
Factory at Sakai Plant)

**Industrial System and Chiller
Products Manufacturing Div
(ISO 9001)**
JOA-0495 May 16, 1994
(Yodogawa Plant and Kanaoka
Factory and Kishiwada Factory)

Daikin Europe N.V (ISO 9001)
Lloyd 928589.1 June 2, 1993

Daikin Industries (Thailand) Ltd
JOA-1452 September 13, 2002
(ISO 9001)



DAIKIN SPECIALIST

For all sales enquiries email:
sales@daikin.co.nz

For customer service or technical support:
0800 209 010

daikin.co.nz